

PM Fiber Optical Switch (1x1, 1x2)

Features

- Compact Size
- Fast Response Time
- Low Insertion Loss

Applications

- Protection Switching
- Reconfiguration
- Optical Subsystems
- Array Integration

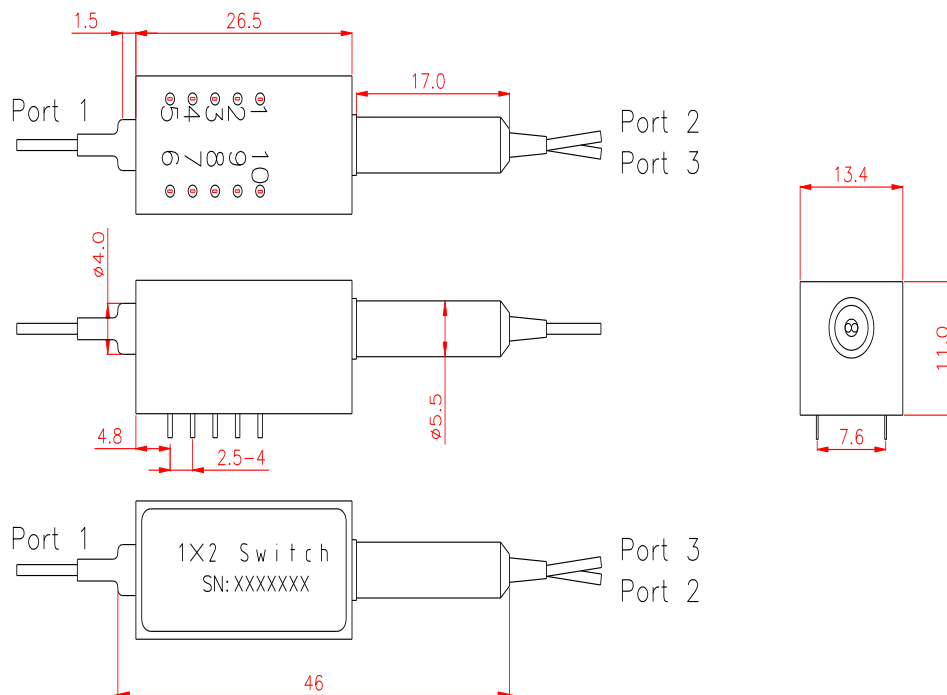
Specifications

Parameters	Unit	1x1, 1x2	
Operation Wavelength	nm	1310, 1550	1310/1550, 1064
Insertion Loss with Connector	dB	≤0.5 (Typ. 0.4)	≤0.7 (Typ. 0.5)
Extinction Ratio	dB	≥20	
Return Loss	dB	≥55	
Cross Talk	dB	≥55	
Switch Time	ms	≤10	
Repeatability	dB	≤±0.05	
Lifetime	Cycle	>10 ⁷	
Switch mode	---	Latching or Non-latching	
Fiber Type	---	PM Panda Fiber	
Drive Voltage	V	5 ±0.5 DC or 5V Pulse	
Work Current	mA	≤50	
Dimension	mm	(L)26.5x(W)13.4x(H)11	
Operating Temperature	°C	-15 ~ +70	
Storage Temperature	°C	-40 ~ +85	

Electrical Drive

Optical Path	Electrical Drive				Status Sensor			
	Pin1	Pin10	Pin5	Pin6	Pin2-3	Pin3-4	Pin7-8	Pin8-9
1-2	+V Pulse	GND	N/A	N/A	open	close	close	open
1-3	GND	+V Pulse	N/A	N/A	close	open	open	close

Package Dimension



Ordering Information

OSW- ①①①-②②②②-③-④④④-⑤-⑥-⑦⑦

①	Port Type	1x1; 1x2;
②	Wavelength	1310; 1550; 1310/1550; 1064;
③	Mode	L=Latching; N=Non-Latching;
④	Pigtail Type	250=250um Bare Fiber; 900=900um Loose Tube;
⑤	Fiber Type	5=PM Fiber;
⑥	Fiber Length	1= 1m;
⑦	Connector	NE=None; FA=FC/APC; FC=FC/UPC; SA=SC/APC; SC=SC/UPC; LC=LC/UPC; XX=Others;