

**940nm 1W~1.5W Fiber Coupled LD with 14-pin butterfly (BF) Package**

**940nm|14-pin Butterfly Package| 60um 105um 200um or 400um Fiber Core| High Power Laser Diode**

**WSLX-940-001-H-T**

**Wavespectrum Laser, Inc.**

**www.wavespectrum-laser.com**

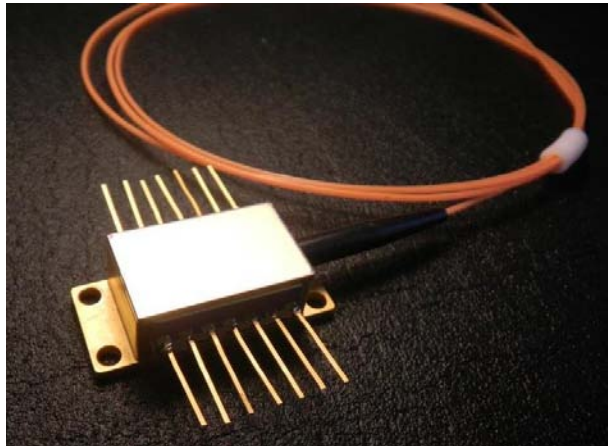
PARAMETER	SYMBOL	VALUE	UNIT
Reverse Voltage	V <sub>r</sub>	2.0	V
Operating Temperature	T <sub>op</sub>	+10 ~ +30	°C
Storage Temperature	T <sub>stg</sub>	-20 ~ +85	°C
Lead soldering temperature (10 sec.)	T <sub>is</sub>	260	°C

**Features:**

- 940nm
- 14-pin Butterfly package
- Built-in Photodiodes
- Built-in TEC Cooling

**Applications:**

- Medical laser treatment
- Sensing
- Others



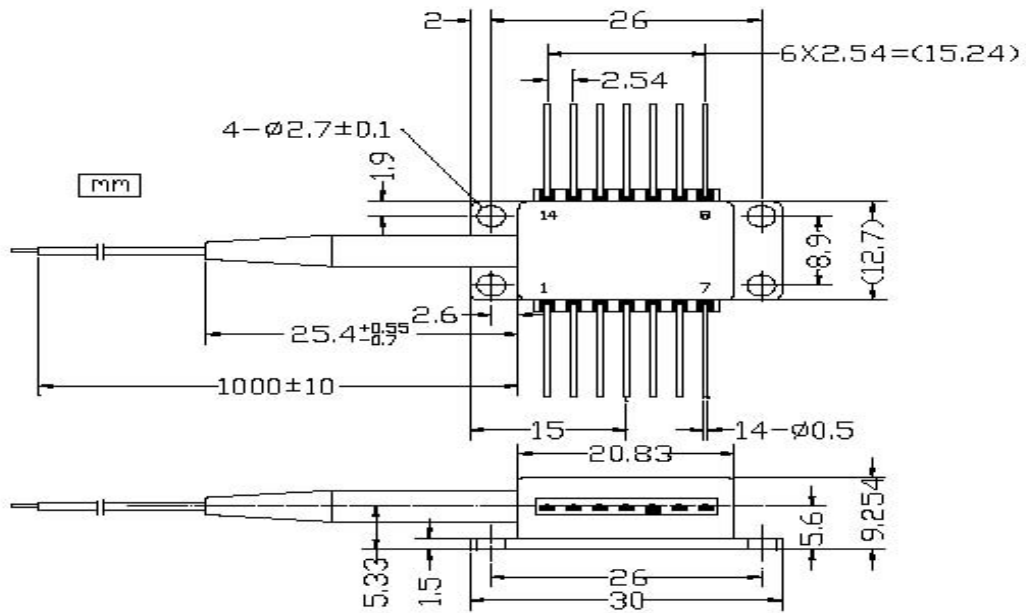
**Specifications**

**WSLX-940-001-H-T**

	Min	Type	Max
Center Wavelength@25°C	±3nm	940	±10nm
Spectral Width (FWHM)	3nm		
Output Power	1W	1.5W	----
Temperature Coefficient of Wavelength	0.3nm / °C		
Threshold Current (Typ.)	400mA		
Operating Current (Typ.)	2.2A		
Operating Voltage	2.0V		
Recommended Case Temperature	25°C		
TEC Max Current	1.8A		
TEC Max Voltage	2.5V		
Fiber Core	105um (60um , 200um , 400um Optional)		
Fiber Length	80cm		
Connector Type	SMA905/ST/FC		
Package Style	14-PIN Butterfly Package		



### 14-Pin Package View



### Pin Out

PIN	FUNCTION	PIN	FUNCTION
1	TEC (+)	8	NC
2	Thermistor	9	NC
3	PD (+)	10	LD (+)
4	PD (-)	11	LD (-)
5	Thermistor	12	NC
6	NC	13	Case Ground
7	NC	14	TEC (-)

Electrically shorten LD module and store in non-extreme conditions.  
 Suggest using the constant current power supply.

