


630nm-642nm 5mW SM Pigtailed LD with Polarization Maintaining Fiber

635nm Coaxial package diode laser with PM Fiber

WSLP-635-005m-PM-PD

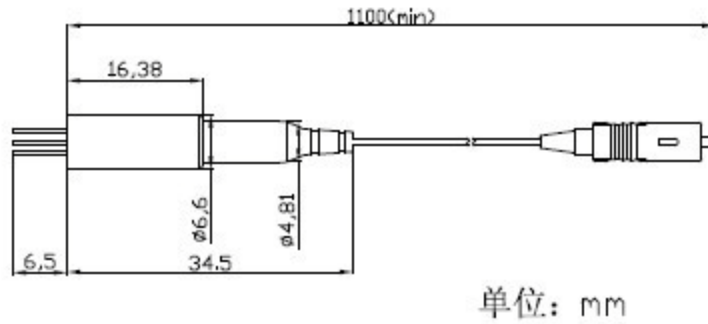
Wavespectrum laser inc.

www.wavespectrum-laser.com

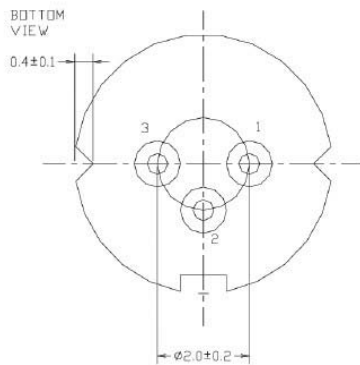
PARAMETER	SYMBOL	VALUE	UNIT
Reverse Voltage	V_r	2.0	V
Operating Temperature	T_{op}	-10 ~ +40	°C
Storage Temperature	T_{stg}	-40 ~ +85	°C
Lead soldering temperature (10 sec.)	T_{is}	260	°C
Features: <ul style="list-style-type: none"> ● 635nm ● Polarization Maintain Fiber ● Coaxial package ● Built-in PD 			
Applications: <ul style="list-style-type: none"> ● Medical laser treatment ● Printing 			
Specifications	WSLP-635-005m-PM-PD		
	Min	Type	Max
Center Wavelength@25°C	635nm	639nm	642nm
Spectral Width (FWHM)	----	2.0nm	----
Output Power	----	5mw	----
Fiber Core	Polarization Maintain Fiber		
Slope Efficiency	0.5mW/mA	0.75mW/mA	----
Monitor Current	0.05mA	0.3mA	1.0mA
PD Reverse Voltage	----	30V	----
Fiber Connector	FC/ST/SMA905		
Fiber Length	----	80cm	100cm
Threshold Current (Typ.)	----	50mA	60mA
Operating Current (Typ.)	----	95mA	105mA
Operating Voltage	----	2.3V	2.45V
Package Style	Coaxial		



Coaxial Package View



PIN Bottom View:



1	LD(-)
2	LD(+)&PD(-)
3	PD(+)

Electrically shorten LD module and store in non-extreme conditions.

Suggest using the constant current power supply.

Caution
 On operation, If optical connectors are unterminated, modules can emit invisible laser radiation. Radiation emitted by laser devices can be dangerous to the eyes. Avoided eye or skin exposure to direct or scattered radiation

