

635nm 5mW SM Fiber Coupled LD with single mode fiber

635nm SM Coaxial Pigtail diode laser

WSLP-635-005m-4-PD

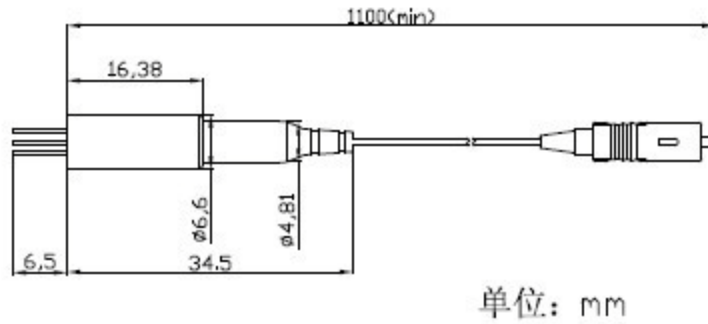
Wavespectrum laser inc.

www.wavespectrum-laser.com

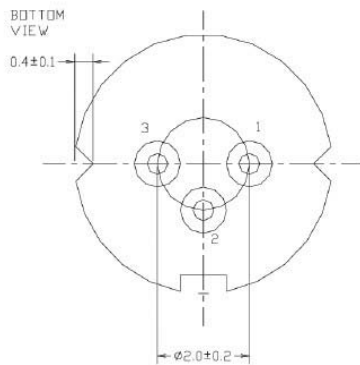
PARAMETER	SYMBOL	VALUE	UNIT
Reverse Voltage	V_r	2.0	V
Operating Temperature	T_{op}	-10 ~ +50	°C
Storage Temperature	T_{stg}	-40 ~ +85	°C
Lead soldering temperature (10 sec.)	T_{is}	260	°C
Features: <ul style="list-style-type: none"> ● 635nm ● SM Fiber ● Coaxial package ● Built-in PD 			
Applications: <ul style="list-style-type: none"> ● Medical laser treatment ● Printing 			
Specifications	WSLP-635-005m-4-PD		
	Min	Type	Max
Center Wavelength@25°C	630nm	639nm	645nm
Spectral Width (FWHM)	----	2.0nm	----
Output Power	----	>5mw	----
Fiber Core	4um		
Slope Efficiency	0.5mW/mA	0.8mW/mA	----
Monitor Current	0.1mA	0.2mA	1.0mA
PD Reverse Voltage	----	30V	----
Fiber Connector	FC/ST/SMA905		
Fiber Length	----	80cm	100cm
Threshold Current (Typ.)	----	50mA	55mA
Operating Current (Typ.)	----	70mA	85mA
Operating Voltage	----	2.3V	2.4V
Package Style	Coaxial		



Coaxial Package View



PIN Bottom View:



1	LD(-)
2	LD(+)&PD(-)
3	PD(+)

Electrically shorten LD module and store in non-extreme conditions.
Suggest using the constant current power supply.

Caution
On operation, If optical connectors are unterminated, modules can emit invisible laser radiation. Radiation emitted by laser devices can be dangerous to the eyes. Avoided eye or skin exposure to direct or scattered radiation

