

635nm~640nm 5mW Fiber Coupled Laser Diode with MMF

635nm pigtailed coaxial LD

WSLP-635-005m-M

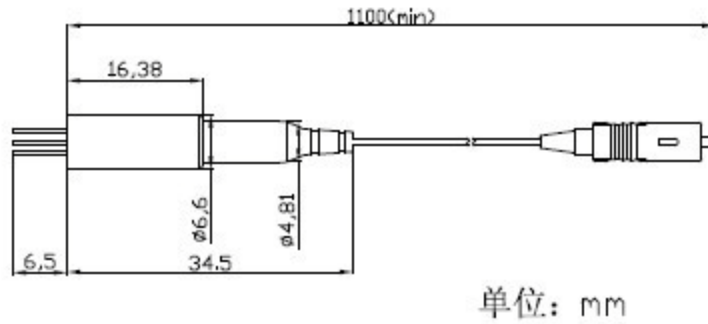
Wavespectrum laser inc.

www.wavespectrum-laser.com

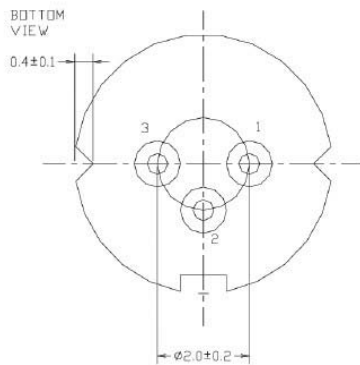
PARAMETER	SYMBOL	VALUE	UNIT
Reverse Voltage	V_r	2.0	V
Operating Temperature	T_{op}	-10 ~ +40	°C
Storage Temperature	T_{stg}	-40 ~ +85	°C
Lead soldering temperature (10 sec.)	T_{is}	260	°C
Features: <ul style="list-style-type: none"> ● 635nm ● MM Fiber ● Coaxial package ● Built-in PD 			
Applications: <ul style="list-style-type: none"> ● Medical laser treatment ● Printing 			
Specifications	WSLP-635-005m-M		
	Min	Type	Max
Center Wavelength@25°C	630nm	635nm	640nm
Spectral Width (FWHM)	----	2.0nm	----
Output Power	----	>5mw	----
Fiber Core	62.5um or 105um		
Slope Efficiency	0.25mW/mA	0.5mW/mA	0.65mW/mA
Monitor Current	0.03mA	0.12mA	0.5mA
PD Reverse Voltage	----	30V	----
Fiber Connector	FC/ST/SMA905		
Fiber Length	----	80cm	100cm
Threshold Current (Typ.)	----	30mA	35mA
Operating Current (Typ.)	----	55mA	65mA
Operating Voltage	----	2.2V	2.5V
Package Style	Coaxial		
Recommended Operating Temperature	25°C		



Coaxial Package View



PIN Bottom View:



1	LD(+)
2	LD(-)&PD(-)
3	PD(+)

Electrically shorten LD module and store in non-extreme conditions.

Suggest using the constant current power supply.

Caution
 On operation, If optical connectors are unterminated, modules can emit invisible laser radiation. Radiation emitted by laser devices can be dangerous to the eyes. Avoided eye or skin exposure to direct or scattered radiation



INVISIBLE LASER RADIATION
 AVOID DIRECT EXPOSURE TO BEAM



Invisible Laser Radiation
 Avoid Direct Exposure to Beam
 Class 3b Laser Product

