

635nm 80mw SM Coaxial Pigtailed LD with Single Mode Fiber

635nm Fiber Coupled Laser diode with SMF

WSLP-635-080m-4

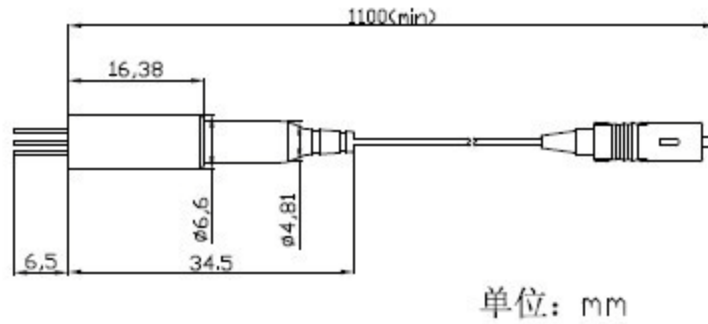
Wavespectrum laser inc.

www.wavespectrum-laser.com

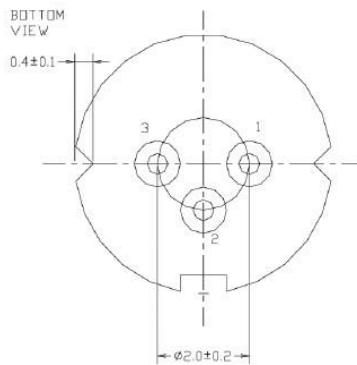
PARAMETER	SYMBOL	VALUE	UNIT
Reverse Voltage	V_r	2.0	V
Operating Temperature	T_{op}	-5 ~ +60	°C
Storage Temperature	T_{stg}	-40 ~ +100	°C
Lead soldering temperature (10 sec.)	T_{is}	260	°C
Features: <ul style="list-style-type: none"> ● 635nm ● 4um SM Fiber ● Coaxial package ● High Coupling Efficiency 			
Applications: <ul style="list-style-type: none"> ● Medical laser treatment ● Others 			
Specifications	WSLP-635-080m-4		
	Min	Type	Max
Center Wavelength@25°C	632nm	638nm	643nm
Recommend Work Temperature	25°C		
Output Power	----	80mW	----
Fiber Core	4um Single Mode Fiber		
Slope Efficiency	0.5mW/mA	0.95mW/mA	1.2mW/mA
Monitor Current	----	----	----
PD Reverse Voltage	----	----	----
Fiber Connector	FC/ST/SMA905		
Fiber Length	----	80cm	100cm
Threshold Current (Typ.)	55mA	80mA	105mA
Operating Current (Typ.)	150mA	230mA	290mA
Operating Voltage	2.2V	2.6V	3.0V
Package Style	Coaxial		



Coaxial Package View



PIN Bottom View:



1	LD(+)
2	GND
3	LD(-)

Electrically shorten LD module and store in non-extreme conditions.

Suggest using the constant current power supply.

Caution
On operation, If optical connectors are unterminated, modules can emit invisible laser radiation. Radiation emitted by laser devices can be dangerous to the eyes. Avoided eye or skin exposure to direct or scattered radiation

