

635nm 50mw SM Coaxial Pigtailed LD with PMF
635nm Fiber Coupled Laser diode with PM Fiber

WSLP-635-050m-PM

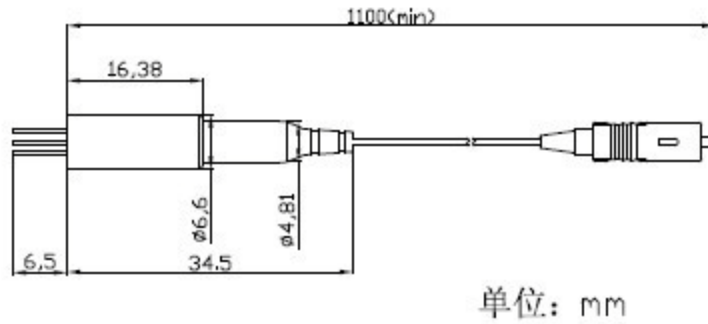
Wavespectrum laser inc.

www.wavespectrum-laser.com

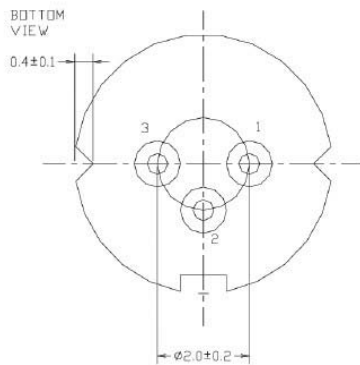
| PARAMETER | SYMBOL | VALUE | UNIT |
|--|--|------------|----------|
| Reverse Voltage | V_r | 2.0 | V |
| Operating Temperature | T_{op} | -5 ~ +60 | °C |
| Storage Temperature | T_{stg} | -40 ~ +100 | °C |
| Lead soldering temperature (10 sec.) | T_{is} | 260 | °C |
| Features: |  | | |
| <ul style="list-style-type: none"> ● 635nm ● 4um PM Fiber ● Coaxial package | | | |
| Applications: | | | |
| <ul style="list-style-type: none"> ● Medical laser treatment ● Others | | | |
| Specifications | WSLP-635-050m-PM | | |
| | Min | Type | Max |
| Center Wavelength@25°C | 632nm | 638nm | 643nm |
| Recommend Work Temperature | 25°C | | |
| Output Power | ---- | 50mW | ---- |
| Fiber Core | 4um Polarization Maintaining Fiber | | |
| Slope Efficiency | 0.5mW/mA | 0.95mW/mA | 1.2mW/mA |
| Monitor Current | ---- | ---- | ---- |
| PD Reverse Voltage | ---- | ---- | ---- |
| Fiber Connector | FC/ST/SMA905 | | |
| Fiber Length | ---- | 80cm | 100cm |
| Threshold Current (Typ.) | 55mA | 80mA | 105mA |
| Operating Current (Typ.) | 150mA | 230mA | 290mA |
| Operating Voltage | 2.2V | 2.6V | 3.0V |
| Package Style | Coaxial | | |



Coaxial Package View



PIN Bottom View:



| | |
|----------|--------------|
| 1 | LD(+) |
| 2 | GND |
| 3 | LD(-) |

Electrically shorten LD module and store in non-extreme conditions.

Suggest using the constant current power supply.

Caution
 On operation, If optical connectors are unterminated, modules can emit invisible laser radiation. Radiation emitted by laser devices can be dangerous to the eyes. Avoided eye or skin exposure to direct or scattered radiation



Invisible Laser Radiation
 Avoid Direct Exposure to Beam
 Class 3b Laser Product

