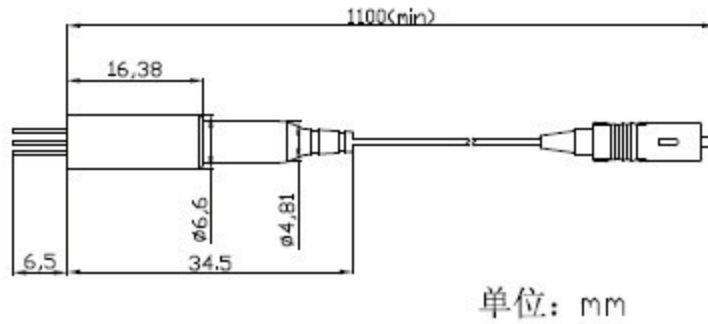


635nm 30mw SM Coaxial Pigtailed Laser Diodes with PMF
635nm Fiber Coupled Laser diode with PM Fiber (Polarization Maintaining Fiber)
WSLP-635-030m-PM Wavespectrum laser inc. www.wavespectrum-laser.com

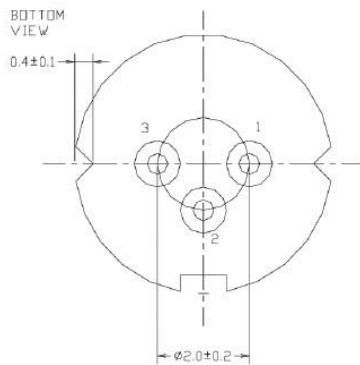
PARAMETER	SYMBOL	VALUE	UNIT
Reverse Voltage	V_r	2.0	V
Operating Temperature	T_{op}	-5 ~ +60	°C
Storage Temperature	T_{stg}	-40 ~ +100	°C
Lead soldering temperature (10 sec.)	T_{is}	260	°C
Features: <ul style="list-style-type: none"> ● 635nm ● 4um PM Fiber ● Coaxial package 			
Applications: <ul style="list-style-type: none"> ● Medical laser treatment ● Others 			
Specifications	WSLP-635-030m-PM		
	Min	Type	Max
Center Wavelength@25°C	632nm	638nm	644nm
Recommend Work Temperature	25°C		
Output Power	----	30mW	----
Fiber Core	4um Polarization Maintaining Fiber		
Slope Efficiency	0.8mW/mA	1.1mW/mA	1.3mW/mA
Monitor Current	----	----	----
PD Reverse Voltage	----	----	----
Fiber Connector	FC/ST/SMA905		
Fiber Length	----	80cm	100cm
Threshold Current (Typ.)	40mA	50mA	60mA
Operating Current (Typ.)	95mA	160mA	200mA
Operating Voltage	2.3V	2.6V	3.0V
Package Style	Coaxial		



Coaxial Package View



PIN Bottom View:



1	LD(+)
2	GND
3	LD(-)

Electrically shorten LD module and store in non-extreme conditions.

Suggest using the constant current power supply.

Caution
 On operation, If optical connectors are unterminated, modules can emit invisible laser radiation. Radiation emitted by laser devices can be dangerous to the eyes. Avoided eye or skin exposure to direct or scattered radiation

