


**450nm 20mW~30mw SM Coaxial Fiber Coupled Laser Diode LD with PMF**  
**445nm SM Pigtailed LD with Polarization Maintaining Fiber**

WSLP-445-030m-PM

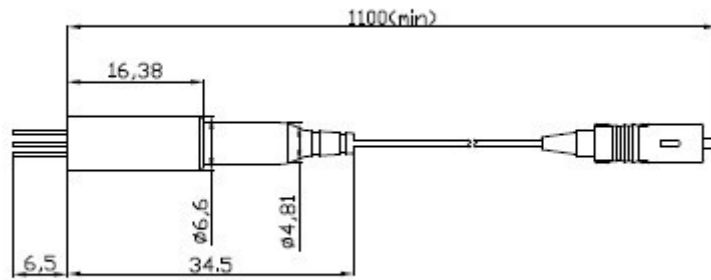
Wavespectrum laser inc.

[www.wavespectrum-laser.com](http://www.wavespectrum-laser.com)

445nm Pigtailed Diode Laser		30mW/PM Fiber		Wavespectrum Laser, Inc	
PARAMETER	SYMBOL	VALUE	UNIT		
Reverse Voltage	$V_r$	2.0	V		
Operating Temperature	$T_{op}$	+10 ~ +70	°C		
Storage Temperature	$T_{stg}$	-40 ~ +85	°C		
Lead soldering temperature (10 sec.)	$T_{is}$	260	°C		
Features:					
<ul style="list-style-type: none"> <li>● 445nm</li> <li>● UV 3um PM Fiber</li> <li>● Coaxial package</li> <li>● PD Optional</li> </ul>					
Applications:	<ul style="list-style-type: none"> <li>● Medical laser treatment</li> <li>● Printing</li> </ul>				
Specifications	<b>WSLP-445-030m-PM</b>				
	Min	Type	Max		
Center Wavelength@25°C	440nm	445nm	460nm		
Spectral Width (FWHM)	----	2.0nm	----		
Output Power	----	25mW	30mW		
Fiber Type	UV Polarization Maintaining Fiber				
Fiber Core	3um				
Slope Efficiency	----	1.0mW/mA	----		
Monitor Current	----	----	----		
PD Reverse Voltage	----	----	----		
Fiber Connector	FC/ST/SMA905				
Fiber Length	----	80cm	100cm		
Threshold Current (Typ.)	----	30mA	60mA		
Operating Current (Typ.)	----	80mA	120mA		
Operating Voltage	----	5.5V	6.5V		
Package Style	Coaxial				
Side-Face Photodiode	Optional				

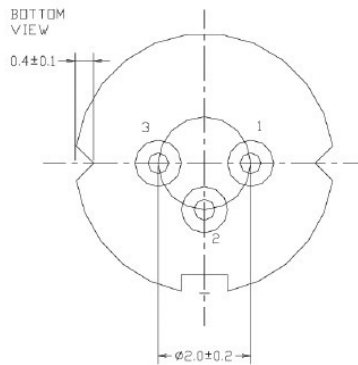


## Coaxial Package View



单位: mm

### PIN Bottom View:



<b>1</b>	<b>LD(+)</b>
<b>2</b>	<b>GND</b>
<b>3</b>	<b>LD(-)</b>

Electrically shorten LD module and store in non-extreme conditions.

Suggest using the constant current power supply.



Please contact us:

Website: [www.wavespectrum-laser.com](http://www.wavespectrum-laser.com) (for more detailed information)

Email: [info@wavespectrum-laser.com](mailto:info@wavespectrum-laser.com) (for inquiry about this product)

