


450nm SM 20mW~30mw Coaxial Pigtailed LD

445nm Fiber coupled Laser Diode with Single mode fiber

WSLP-445-030m-4

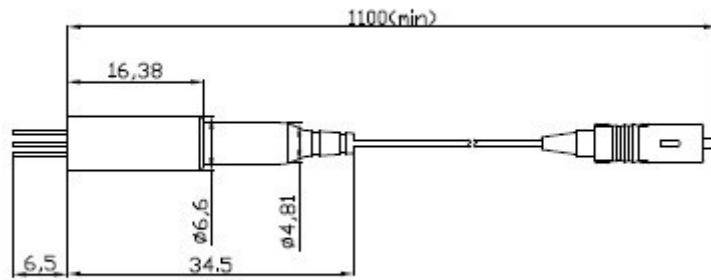
Wavespectrum laser inc.

www.wavespectrum-laser.com

445nm Pigtailed Diode Laser		30mW/SM Fiber		Wavespectrum Laser, Inc	
PARAMETER	SYMBOL	VALUE	UNIT		
Reverse Voltage	V_r	2.0	V		
Operating Temperature	T_{op}	+10 ~ +70	°C		
Storage Temperature	T_{stg}	-40 ~ +85	°C		
Lead soldering temperature (10 sec.)	T_{is}	260	°C		
Features: <ul style="list-style-type: none"> ● 445nm ● UV 4um SM Fiber ● Coaxial package ● PD Optional 					
Applications: <ul style="list-style-type: none"> ● Medical laser treatment ● Printing 					
Specifications	WSLP-445-030m-4				
	Min	Type	Max		
Center Wavelength@25°C	440nm	445nm	460nm		
Spectral Width (FWHM)	----	2.0nm	----		
Output Power	----	25mW	30mW		
Fiber Type	UV Single Mode Fiber				
Fiber Core	3um				
Slope Efficiency	----	1.0mW/mA	----		
Monitor Current	----	----	----		
PD Reverse Voltage	----	----	----		
Fiber Connector	FC/ST/SMA905				
Fiber Length	----	80cm	100cm		
Threshold Current (Typ.)	----	30mA	60mA		
Operating Current (Typ.)	----	80mA	120mA		
Operating Voltage	----	5.5V	6.5V		
Package Style	Coaxial				
Side-Face Photodiode	Optional				

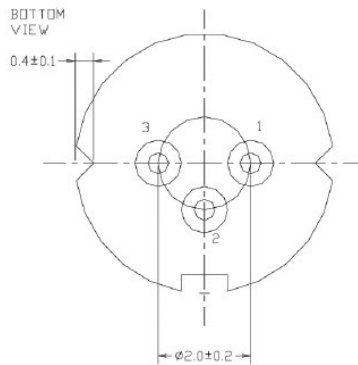


Coaxial Package View



单位: mm

PIN Bottom View:



1	LD(+)
2	GND
3	LD(-)

Electrically shorten LD module and store in non-extreme conditions.

Suggest using the constant current power supply.



Please contact us:

Website: www.wavespectrum-laser.com (for more detailed information)

Email: info@wavespectrum-laser.com (for inquiry about this product)

