

**405nm 50mW SM Fiber coupled Laser Diode with PMF**

**405nm Single Mode Coaxial Pigtailed LD with Polarization Maintaining Fiber**

WSLP-405-050m-PM

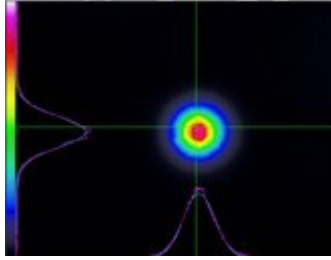
Wavespectrum Laser, Inc.

www.wavespectrum-laser.com

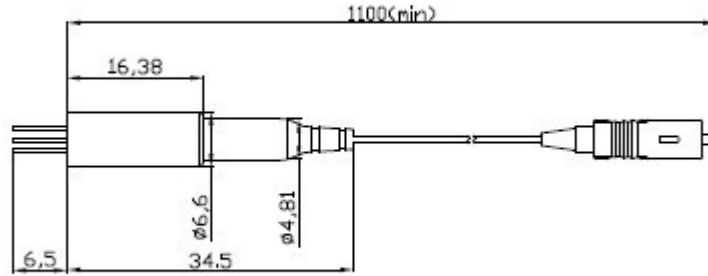
PARAMETER	SYMBOL	VALUE	UNIT
Reverse Voltage	$V_r$	5.0	V
Operating Temperature	$T_{op}$	0~+70	°C
Storage Temperature	$T_{stg}$	-35 ~ +85	°C
Lead soldering temperature (10 sec.)	$T_{is}$	260	°C
<b>Features:</b>			
<ul style="list-style-type: none"> <li>● 405nm</li> <li>● 3~4um PM UV Fiber</li> <li>● Coaxial package</li> <li>● PD Optional</li> </ul>			
<b>Applications:</b>			
<ul style="list-style-type: none"> <li>● Medical laser treatment</li> <li>● Printing</li> </ul>			
<b>Specifications</b>	<b>WSLP-405-050m-PM</b>		
	<b>Min</b>	<b>Type</b>	<b>Max</b>
Center Wavelength@25°C	400nm	405nm	410nm
Spectral Width (FWHM)	----	2.0nm	----
Output Power	----	50mw	60mW
Fiber Type	UV Polarization Maintaining Fiber		
Fiber Core	3um		
Slope Efficiency	1.0mW/mA	1.5mW/mA	2.0mW/mA
Monitor Current	----	----	----
PD Reverse Voltage	----	----	----
Fiber Connector	FC/ST/SMA905		
Fiber Length	----	80cm	100cm
Threshold Current (Typ.)	----	35mA	50mA
Operating Current (Typ.)	----	110mA	130mA
Operating Voltage	----	4.6V	5.5
Package Style	Coaxial		
Polarization Rate	18dB	20dB	----



### Beam Quality

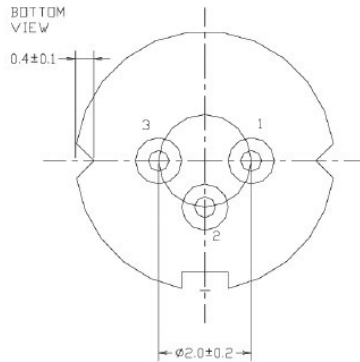


### Coaxial Package View



单位: mm

### PIN Bottom View:



1	LD(+)
2	GND
3	LD(-)

Electrically shorten LD module and store in non-extreme conditions.

Suggest using the constant current power supply.

**Caution**  
On operation, if optical connectors are unterminated, modules can emit invisible laser radiation. Radiation emitted by laser devices can be dangerous to the eyes. Avoided eye or skin exposure to direct or scattered radiation

