

405nm 50mW SM Coaxial Pigtailed Laser Diode LD with SMF

405nm Single Mode Fiber Coupled Laser Diode

WSLP-405-050m-4

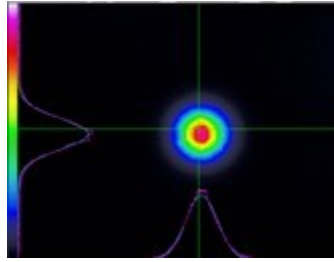
Wavespectrum Laser, Inc.

www.wavespectrum-laser.com

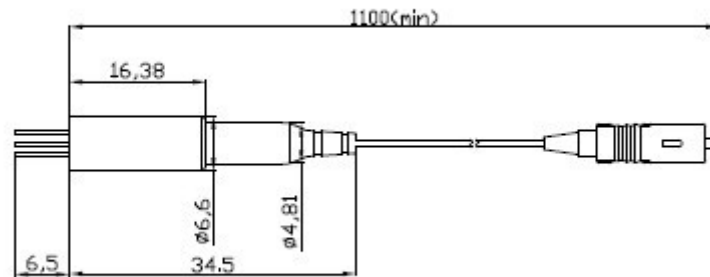
PARAMETER	SYMBOL	VALUE	UNIT
Reverse Voltage	V_r	5.0	V
Operating Temperature	T_{op}	0 ~ +70	°C
Storage Temperature	T_{stg}	-35 ~ +85	°C
Lead soldering temperature (10 sec.)	T_{is}	260	°C
Features: <ul style="list-style-type: none"> ● 405nm ● 3~4um SM UV Fiber ● Coaxial package ● PD Optional 			
Applications: <ul style="list-style-type: none"> ● Medical laser treatment ● Printing 			
Specifications	WSLP-405-050m-4		
	Min	Type	Max
Center Wavelength@25°C	400nm	405nm	410nm
Spectral Width (FWHM)	----	2.0nm	----
Output Power	----	50mw	60mW
Fiber Type	UV Single Mode Fiber		
Fiber Core	3um		
Slope Efficiency	1.0mW/mA	1.5mW/mA	2.0mW/mA
Monitor Current	----	----	----
PD Reverse Voltage	----	----	----
Fiber Connector	FC/ST/SMA905		
Fiber Length	----	80cm	100cm
Threshold Current (Typ.)	----	35mA	50mA
Operating Current (Typ.)	----	110mA	130mA
Operating Voltage	----	4.6V	5.5
Package Style	Coaxial		
Side-Face Photodiodes	Side-face Photodiode Optional		



Beam Quality

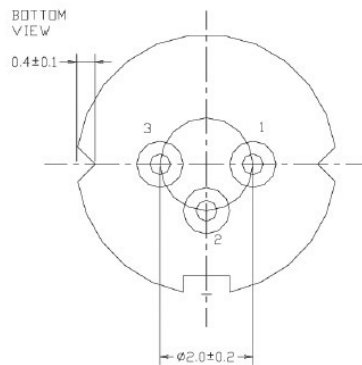


Coaxial Package View



单位: mm

PIN Bottom View:



1	LD(+)
2	GND
3	LD(-)

Electrically shorten LD module and store in non-extreme conditions.

Suggest using the constant current power supply.

Caution
 On operation, if optical connectors are unterminated, modules can emit invisible laser radiation. Radiation emitted by laser devices can be dangerous to the eyes. Avoided eye or skin exposure to direct or scattered radiation

