

405nm 15mw Coaxial Pigtailed LD with Polarization Maintaining Fiber

405nm SM Fiber coupled Laser Diode LD with PM Fiber

WSLP-405-015m-PM

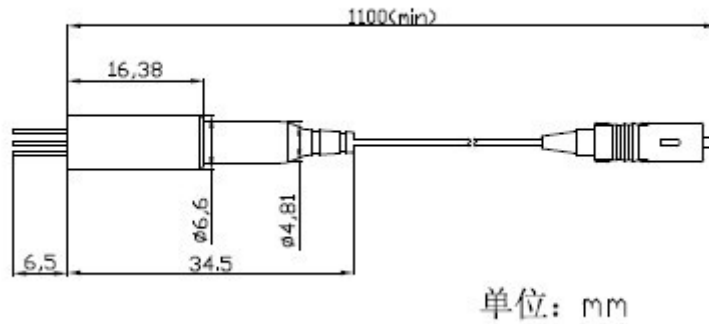
Wavespectrum laser inc.

www.wavespectrum-laser.com

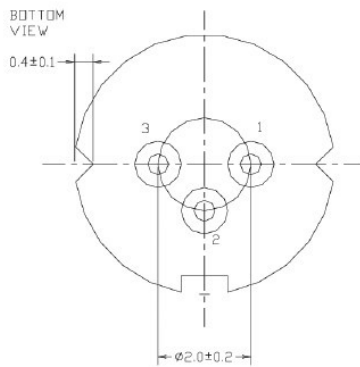
| PARAMETER | SYMBOL | VALUE | UNIT |
|---|--|-----------|----------|
| Reverse Voltage | V_r | 2.0 | V |
| Operating Temperature | T_{op} | 0 ~ +40 | °C |
| Storage Temperature | T_{stg} | -35 ~ +85 | °C |
| Lead soldering temperature (10 sec.) | T_{is} | 260 | °C |
| Features: <ul style="list-style-type: none"> ● 405nm ● PM Fiber ● Coaxial package |  | | |
| Applications: <ul style="list-style-type: none"> ● Medical laser treatment ● Printing | | | |
| Specifications | WSLP-405-015m-PM | | |
| | Min | Type | Max |
| Center Wavelength@25°C | 400nm | 405nm | 410nm |
| Spectral Width (FWHM) | ---- | 2.0nm | ---- |
| Output Power | ---- | >15mw | ---- |
| Fiber Type | UV Polarization Maintaining Fiber | | |
| Fiber Core | 3um | | |
| Slope Efficiency | 1.2mW/mA | 1.4mW/mA | 1.9mW/mA |
| Monitor Current | ---- | ---- | ---- |
| PD Reverse Voltage | ---- | ---- | ---- |
| Fiber Connector | FC/ST/SMA905 | | |
| Fiber Length | ---- | 80cm | 100cm |
| Threshold Current (Typ.) | ---- | 35mA | 50mA |
| Operating Current (Typ.) | ---- | 100mA | 120mA |
| Operating Voltage | ---- | 4.6V | 5.5V |
| Package Style | Coaxial | | |
| PD(optional) | Side-face Photodiode Optional | | |



Coaxial Package View



PIN Bottom View:



| | |
|---|-------|
| 1 | LD(+) |
| 2 | GND |
| 3 | LD(-) |

Electrically shorten LD module and store in non-extreme conditions.
 Suggest using the constant current power supply.



Please contact us:

Website: www.wavespectrum-laser.com (for more detailed information)

Email: info@wavespectrum-laser.com (for inquiry about this product)

