

**405nm 15mw SM Coaxial Pigtailed Laser Diode LD**

**405nm Fiber Coupled LD with Single Mode Fiber**

WSLP-405-015m-4

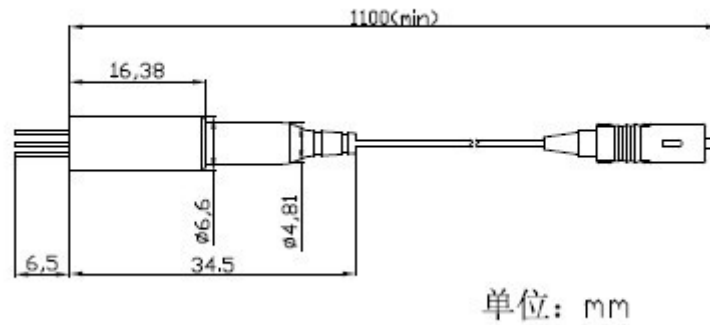
Wavespectrum Laser, Inc.

[www.wavespectrum-laser.com](http://www.wavespectrum-laser.com)

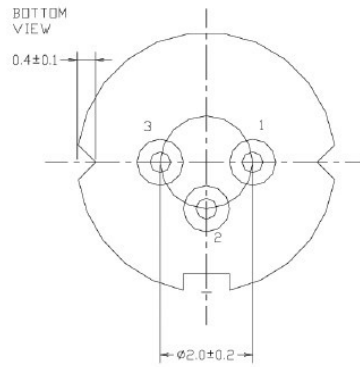
PARAMETER	SYMBOL	VALUE	UNIT
Reverse Voltage	$V_r$	2.0	V
Operating Temperature	$T_{op}$	0 ~ +70	°C
Storage Temperature	$T_{stg}$	-35 ~ +85	°C
Lead soldering temperature (10 sec.)	$T_{is}$	260	°C
Features:			
<ul style="list-style-type: none"> <li>● 405nm</li> <li>● 4um SM Fiber</li> <li>● Coaxial package</li> </ul>			
Applications:	<ul style="list-style-type: none"> <li>● Medical laser treatment</li> <li>● Printing</li> </ul>		
Specifications	<b>WSLP-405-015m-4</b>		
	Min	Type	Max
Center Wavelength@25°C	400nm	405nm	410nm
Spectral Width (FWHM)	----	2.0nm	----
Output Power	----	15mw	----
Fiber Type	UV Single Mode Fiber		
Fiber Core	3um		
Slope Efficiency	1.2mW/mA	1.4mW/mA	1.9mW/mA
Monitor Current	----	----	----
PD Reverse Voltage	----	----	----
Fiber Connector	FC/ST/SMA905		
Fiber Length	----	80cm	100cm
Threshold Current (Typ.)	----	35mA	50mA
Operating Current (Typ.)	----	100mA	130mA
Operating Voltage	----	4.6V	5.5V
Package Style	Coaxial		
PD(optional)	Side-face Photodiode Optional		



## Coaxial Package View



## PIN Bottom View:



<b>1</b>	<b>LD(+)</b>
<b>2</b>	<b>GND</b>
<b>3</b>	<b>LD(-)</b>

Electrically shorten LD module and store in non-extreme conditions.  
 Suggest using the constant current power supply.

Please contact us:

Website: [www.wavespectrum-laser.com](http://www.wavespectrum-laser.com)(for more detailed information)

Email: [info@wavespectrum-laser.com](mailto:info@wavespectrum-laser.com) (for inquiry about this product)

