


915nm 50mW Coaxial Fiber Coupled Laser Diode LD with PM Fiber

910nm~915nm~920nm Pigtailed LD with Polarization Maintaining Fiber

WSLP-915-050m-PM-PD

Wavespectrum laser inc.

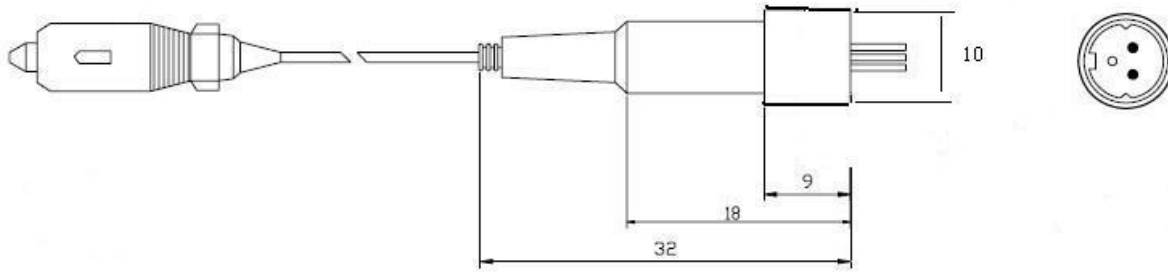
www.wavespectrum-laser.com

915nm Pigtailed Diode Laser		50mW/PM Fiber		Wavespectrum Laser, Inc	
PARAMETER	SYMBOL	VALUE	UNIT		
Reverse Voltage	V_r	2.0	V		
Operating Temperature	T_{op}	-20 ~ +50	°C		
Storage Temperature	T_{stg}	-40 ~ +80	°C		
Lead soldering temperature (10 sec.)	T_{is}	250	°C		
Features: <ul style="list-style-type: none"> ● 915nm ● PM Fiber ● Coaxial package ● Built-in PD 					
Applications: <ul style="list-style-type: none"> ● Medical laser treatment ● Others 					
Specifications		WSLP-915-050m-PM-PD			
	Min	Type	Max		
Center Wavelength@25°C	905nm	915nm	920nm		
Spectral Width (FWHM)	----	0.5nm	2.0nm		
Output Power	----	50mw	----		
Fiber Core	6um or 9um				
Fiber Type	Polarization Maintaining Fiber				
Slope Efficiency	0.8mW/mA	0.9mW/mA	----		
Monitor Current	----	0.3mA	----		
PD Reverse Voltage	----	30V	----		
Fiber Connector	FC/ST/SMA905				
Fiber Length	----	80cm	100cm		
Threshold Current (Typ.)	----	30mA	50mA		
Operating Current (Typ.)	----	250mA	300mA		
Operating Voltage	----	1.8V	2.2V		
Package Style	Coaxial				

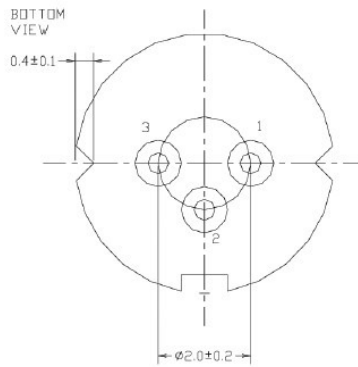


Coaxial Package View

Unit: mm



PIN Bottom View:



1	LD(+)
2	LD(-)&PD(+)
3	PD(-)

Electrically shorten LD module and store in non-extreme conditions.
 Suggest using the constant current power supply.

