


905nm 20mW SM Coaxial Pigtailed Laser Diode LD with PMF
905nm Fiber Coupled LD with Polarization Maintaining Fiber

WSLP-905-020m-PM-PD

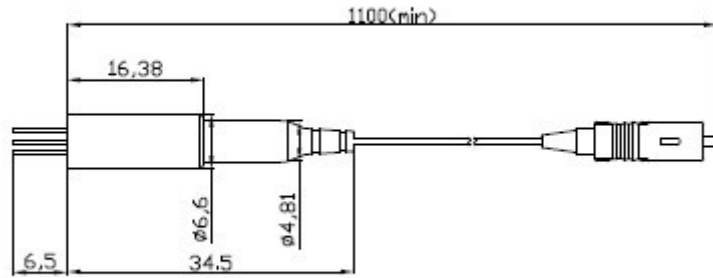
Wavespectrum laser inc.

www.wavespectrum-laser.com

905nm Pigtailed Diode Laser		20mW/PM Fiber		Wavespectrum Laser, Inc	
PARAMETER	SYMBOL	VALUE	UNIT		
Reverse Voltage	V_r	2.0	V		
Operating Temperature	T_{op}	-20 ~ +50	°C		
Storage Temperature	T_{stg}	-40 ~ +80	°C		
Lead soldering temperature (10 sec.)	T_{is}	250	°C		
Features: <ul style="list-style-type: none"> 905nm PM Fiber Coaxial package Built-in PD 					
Applications: <ul style="list-style-type: none"> Medical laser treatment Communication Others 					
Specifications	WSLP-905-020m-PM-PD				
	Min	Type	Max		
Center Wavelength@25°C	900nm	905nm	910nm		
Spectral Width (FWHM)	----	0.5nm	2.0nm		
Output Power	----	20mW	30mW		
Fiber Type	Polarization Maintaining Fiber				
Fiber Core	6 um or 9um				
Slope Efficiency	0.8mW/mA	0.9mW/mA	----		
Monitor Current	----	0.1mA	----		
PD Reverse Voltage	----	30V	----		
Fiber Connector	FC/ST/SMA905				
Fiber Length	----	80cm	100cm		
Threshold Current (Typ.)	----	35mA	55mA		
Operating Current (Typ.)	----	135mA	165mA		
Operating Voltage	----	1.8V	2.3V		
Package Style	Coaxial				

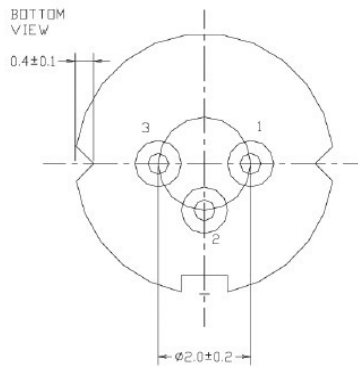


Coaxial Package View



单位: mm

PIN Bottom View:



1	LD(+)
2	LD(-)&PD(+)
3	PD(-)

Electrically shorten LD module and store in non-extreme conditions.

Suggest using the constant current power supply.

