
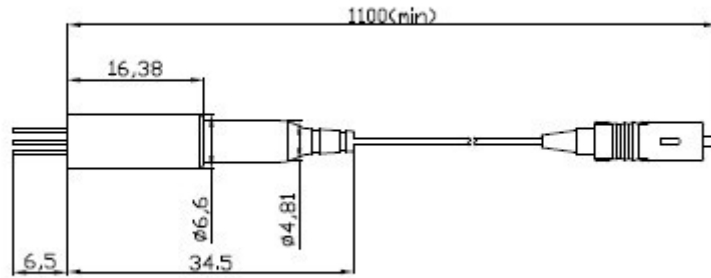


808nm 15mw Coaxial Pigtailed Laser Diode| LD with PM Fiber
808nm 810nm Polarization Maintaining Fiber Coupled Laser Diode
WSLP-808-015m-PM

808nm Pigtailed Diode Laser		15mW/PM Fiber		Wavespectrum Laser, Inc	
PARAMETER	SYMBOL	VALUE	UNIT		
Reverse Voltage	V_r	2.0	V		
Operating Temperature	T_{op}	-10 ~ +70	°C		
Storage Temperature	T_{stg}	-40 ~ +80	°C		
Lead soldering temperature (10 sec.)	T_{is}	260	°C		
Features: <ul style="list-style-type: none"> ● 808nm ● PM Fiber ● Coaxial package ● Built-in PD Optional 					
Applications: <ul style="list-style-type: none"> ● Medical laser treatment ● Sensor 					
Specifications	WSLP-808-015m-PM				
	Min	Type	Max		
Center Wavelength@25°C	---	808nm	+/-10nm		
Spectral Width (FWHM)	1nm	1.5nm	----		
Output Power	----	15mw	----		
Fiber Core	5μm		9μm		
Fiber Type	Polarization Maintaining Fiber				
Slope Efficiency	0.9mW/mA	1.1mW/mA	----		
Monitor Current	0.5mA	1mA	----		
PD Reverse Voltage	----	30V	----		
Fiber Connector	FC/ST/SMA905				
Fiber Length	----	80cm	100cm		
Threshold Current (Typ.)	----	20mA	----		
Operating Current (Typ.)	----	80mA	100mA		
Operating Voltage	----	1.9V	2.4V		
Package Style	Coaxial				
Photodiode	Optional				

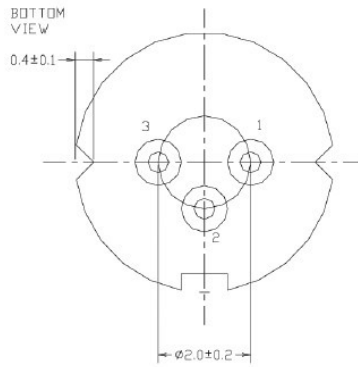


Coaxial Package View



单位: mm

PIN Bottom View:



1	LD(-)
2	LD(+)
3	None or PD(+)

Electrically shorten LD module and store in non-extreme conditions.

Suggest using the constant current power supply.

