
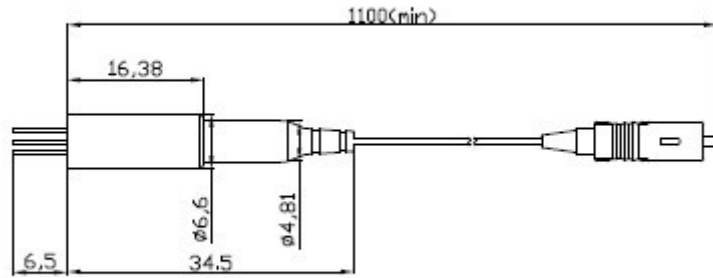


**808nm~810nm 15mw SM Coaxial Pigtailed Laser Diode| LD**  
**808nm SM Fiber Coupled Laser Diode with single mode fiber**  
**WSLP-808-015m-4**

808nm Pigtailed Diode Laser		15mW/SM Fiber		Wavespectrum Laser, Inc	
PARAMETER	SYMBOL	VALUE	UNIT		
Reverse Voltage	$V_r$	2.0	V		
Operating Temperature	$T_{op}$	-10~+70	°C		
Storage Temperature	$T_{stg}$	-40 ~ +80	°C		
Lead soldering temperature (10 sec.)	$T_{is}$	260	°C		
<b>Features:</b> <ul style="list-style-type: none"> <li>● 808nm</li> <li>● SM Fiber</li> <li>● Coaxial package</li> <li>● Built-in PD Optional</li> </ul>					
<b>Applications:</b> <ul style="list-style-type: none"> <li>● Medical laser treatment</li> <li>● Sensor</li> </ul>					
<b>Specifications</b>	<b>WSLP-808-015m-4</b>				
	Min	Type	Max		
Center Wavelength@25°C	---	808nm	+/-10nm		
Spectral Width (FWHM)	<b>1nm</b>	1.5nm	----		
Output Power	----	15mw	----		
Fiber Core	5um		9um		
Slope Efficiency	0.9mW/mA	1.1mW/mA	----		
Monitor Current	0.5mA	1mA	----		
PD Reverse Voltage	----	30V	----		
Fiber Connector	FC/ST/SMA905				
Fiber Length	----	80cm	100cm		
Threshold Current (Typ.)	----	20mA	----		
Operating Current (Typ.)	----	80mA	100mA		
Operating Voltage	----	1.9V	2.4V		
Package Style	Coaxial				
Photodiode	Optional				

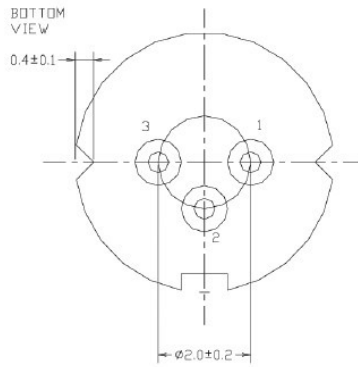


### Coaxial Package View



单位: mm

### PIN Bottom View:



<b>1</b>	<b>LD(-)</b>
<b>2</b>	<b>LD(+)</b>
<b>3</b>	<b>None or PD(+)</b>

Electrically shorten LD module and store in non-extreme conditions.

Suggest using the constant current power supply.

