

1450nm 7W Fiber Coupled Pigtail Laser Diode LD

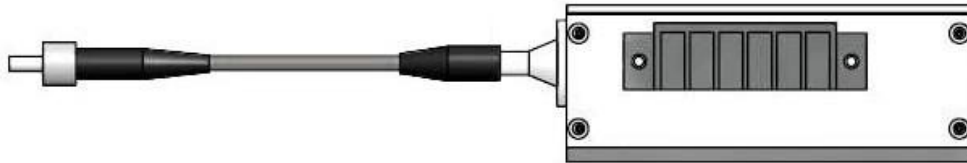
1450nm|HHL Package| 600um Fiber Core| High Power LD|TEC Cooling

WSLB-1450-007-H

Wavespectrum Laser, Inc.

www.wavespectrum-laser.com

PARAMETER	SYMBOL	VALUE	UNIT
Reverse Voltage	V_r	2.0	V
Operating Temperature	T_{op}	+10 ~ +30	°C
Storage Temperature	T_{stg}	-40 ~ +85	°C
Lead soldering temperature (10 sec.)	T_{is}	260	°C



Applications:

- Medical laser treatment
- Others

Features:

- 1450nm
- Aiming Beam Optional
- **Built-in** TEC Cooling
- PD Optional
- Receptacle Package Optional

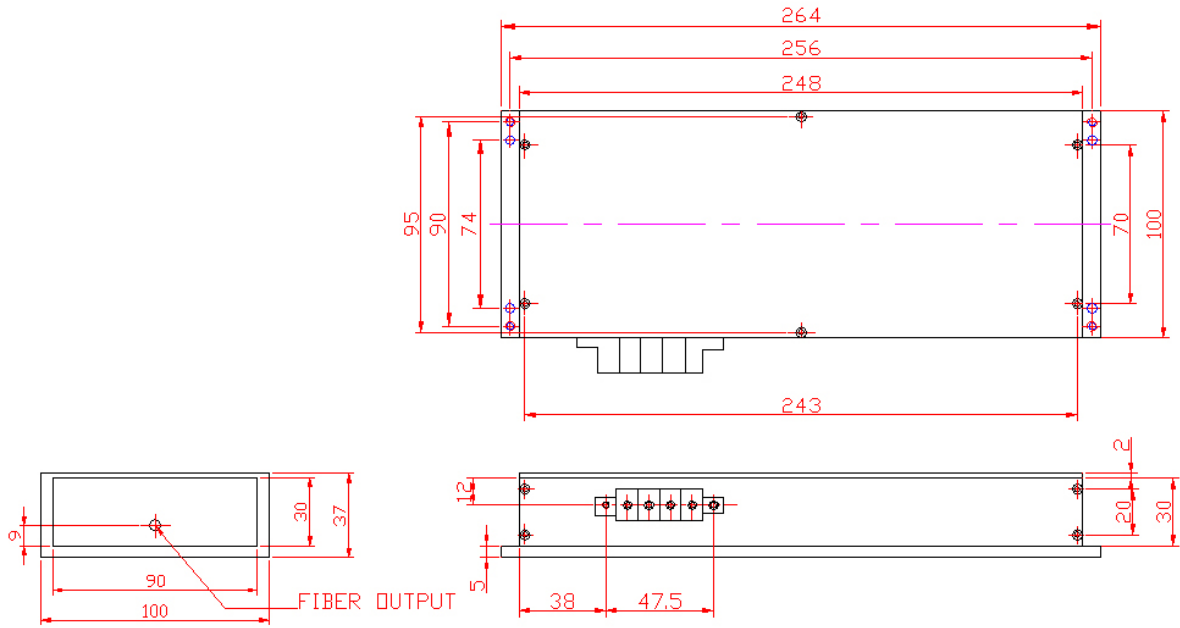
Specifications

WSLB-1450-007-H

	Min.	Type	Max.
Center Wavelength@25°C	----	1450±40nm	----
Spectral Width (FWHM)	----	3nm	----
Output Power	----	7W	----
Temperature Coefficient of Wavelength	----	0.28nm / °C	----
Threshold Current (Typ.)	----	700mA	900mA
Operating Current (Typ.)	----	2.8A	3A
Operating Voltage	----	32V	----
Cooling	TEC Cooling		
Fiber Core Diameter	600um		
Fiber Numerical Aperture	0.22		
Fiber Length	100cm		
Connector Type	SMA905/ST/FC		
Aiming Beam (2mw@650nm)	Optional		



Package View



PIN	1	2	3	4	5	6
	LD(+)	LD(-)	RT	RT	TEC(-)	TEC(+)

Wavespectrum offer **Customized 1450nm Fiber Coupled LD.**

- Customized Output Power
- Customized Fiber Core
- Dual-Wavelength or Tri-Wavelength Module Optional
(such as 7w@1450nm+350mw@635nm)

Contact us with info@wavespectrum-laser.com

Electrically shorten LD module and store in non-extreme conditions.

Suggest using the constant current power supply.

Caution
On operation, if optical connectors are unterminated, modules can emit invisible laser radiation. Radiation emitted by laser devices can be dangerous to the eyes. Avoided eye or skin exposure to direct or scattered radiation



Wavespectrum Laser, Inc.
www.wavespectrum-laser.com
wavespectrumlaser@gmail.com

