

**792nm 6W HHL Fiber Coupled Diode Laser| High Power LD**

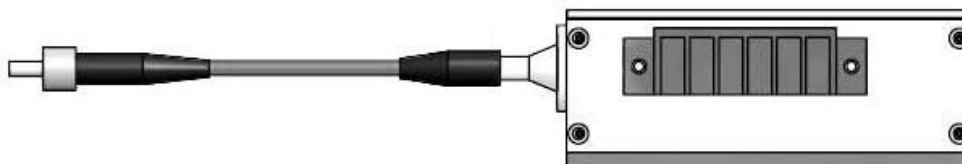
792nm|HHL Package| 200um Fiber Core| TEC Cooling

WSLB-792-006-H

Wavespectrum Laser, Inc.

[www.wavespectrum-laser.com](http://www.wavespectrum-laser.com)

PARAMETER	SYMBOL	VALUE	UNIT
Reverse Voltage	$V_r$	2.0	V
Operating Temperature	$T_{op}$	+15 ~ +35	°C
Storage Temperature	$T_{stg}$	-40 ~ +60	°C
Lead soldering temperature (10 sec.)	$T_{is}$	260	°C



**Applications:**

- Medical laser treatment
- Pumping
- Others

**Features:**

- 792nm
- Aiming Beam Optional
- **Built-in** TEC Cooling
- PD Optional
- Receptacle Package Optional

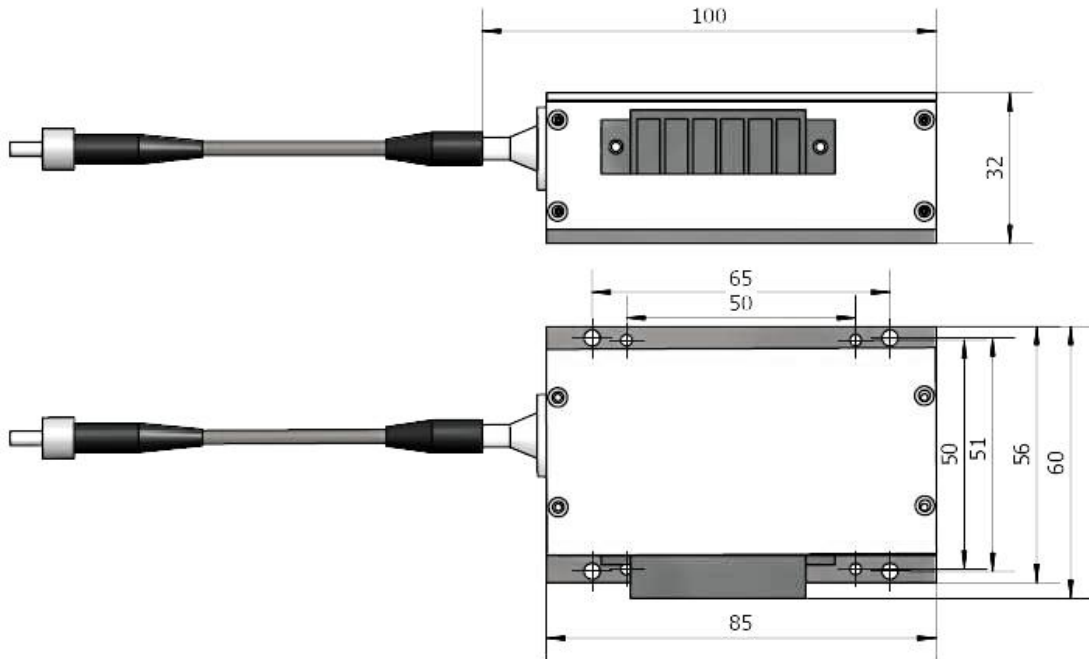
**Specifications**

**WSLB-792-006-H**

	Min.	Type	Max.
Center Wavelength@25°C	----	792nm+/-10nm	----
Spectral Width (FWHM)	----	3nm	----
Output Power	----	6W	----
Temperature Coefficient of Wavelength	----	0.28nm / °C	----
Threshold Current (Typ.)	----	700mA	----
Operating Current (Typ.)	----	3.4A	----
Operating Voltage	----	6V	----
Cooling	TEC Cooling		
Fiber Core Diameter	200um/225um		
Fiber Numerical Aperture	0.22		
Fiber Length	100cm		
Connector Type	SMA905/ST/FC		
Aiming Beam (2mw@650nm)	Optional		



## Package View



PIN	1	2	3	4	5	6
	LD(+)	LD(-)	RT	RT	TEC(-)	TEC(+)

## Wavespectrum offer Customized 792nm Fiber Coupled LD.

- Customized Output Power
- Customized Fiber Core
- Dual-Wavelength or Tri-Wavelength Module Optional  
(such as 6w@792nm+350mw@635nm)

Contact us with [info@wavespectrum-laser.com](mailto:info@wavespectrum-laser.com)

Electrically shorten LD module and store in non-extreme conditions.

Suggest using the constant current power supply.

**Caution**  
 On operation, if optical connectors are unterminated, modules can emit invisible laser radiation. Radiation emitted by laser devices can be dangerous to the eyes. Avoided eye or skin exposure to direct or scattered radiation



Wavespectrum Laser, Inc.  
[www.wavespectrum-laser.com](http://www.wavespectrum-laser.com)  
[wavespectrumlaser@gmail.com](mailto:wavespectrumlaser@gmail.com)

