

960nm 30mw Single Mode Coaxial Pigtailed LD with PM Fiber

960nm SM Fiber Coupled Laser Diodes with Polarization Maintaining Fiber

WSLP-960-030m-PM-PD

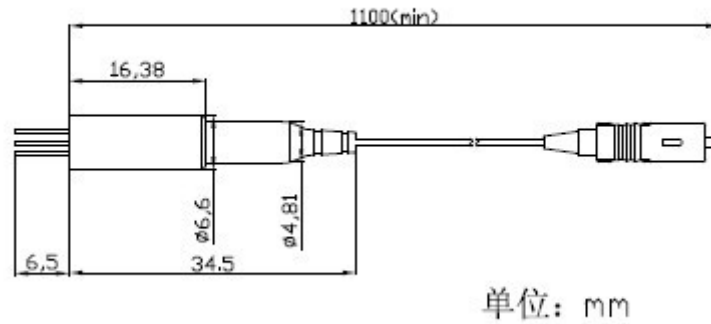
Wavespectrum laser inc.

www.wavespectrum-laser.com

PARAMETER	SYMBOL	VALUE	UNIT
Reverse Voltage	V_r	2.0	V
Operating Temperature	T_{op}	-40 ~ +50	°C
Storage Temperature	T_{stg}	-40 ~ +85	°C
Lead soldering temperature (10 sec.)	T_{is}	260	°C
Features: <ul style="list-style-type: none"> ● 960nm ● 4~6um PM Fiber ● Coaxial package ● Built-in PD 			
Applications: <ul style="list-style-type: none"> ● Medical laser treatment ● others 			
Specifications	WSLP-960-030m-PM-PD		
	Min	Type	Max
Center Wavelength@25°C	950nm	960nm	975nm
Spectral Width (FWHM)	----	2.0nm	----
Output Power	----	30mW	----
Fiber Core	4~6um Polarization Maintaining Fiber		
Slope Efficiency	----	0.8mW/mA	----
Monitor Current	0.07mA	----	----
PD Reverse Voltage	----	30V	----
Fiber Connector	FC/ST/SMA905		
Fiber Length	----	80cm	100cm
Threshold Current (Typ.)	----	50mA	80mA
Operating Current (Typ.)	----	200mA	250mA
Operating Voltage	----	1.8V	2.4V
Package Style	Coaxial		



Coaxial Package View



PIN Bottom View:



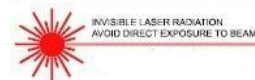
1	LD(-)
2	LD(+)&PD(-)
3	PD(+)

Electrically shorten LD module and store in non-extreme conditions.

Suggest using the constant current power supply.

Caution

On operation, if optical connectors are unterminated, modules can emit invisible laser radiation. Radiation emitted by laser devices can be dangerous to the eyes. Avoided eye or skin exposure to direct or scattered radiation.



Invisible Laser Radiation
 Avoid Direct Exposure to Beam
 Class 3B Laser Product

