


## 960nm 30mw Single Mode Fiber Coupled Laser Diodes

### 960nm SM Coaxial Pigtailed LD

WSLP-960-030m-4-PD

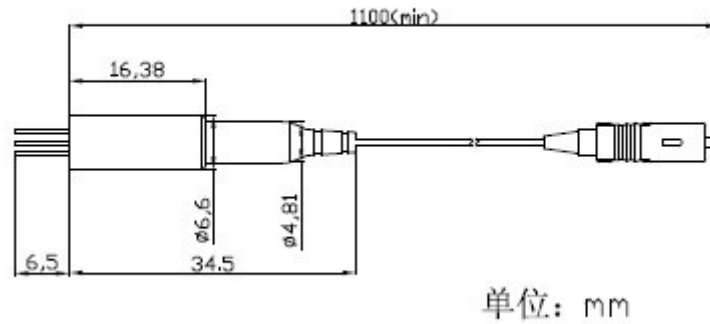
Wavespectrum laser inc.

[www.wavespectrum-laser.com](http://www.wavespectrum-laser.com)

PARAMETER	SYMBOL	VALUE	UNIT
Reverse Voltage	$V_r$	2.0	V
Operating Temperature	$T_{op}$	-40 ~ +50	°C
Storage Temperature	$T_{stg}$	-40 ~ +85	°C
Lead soldering temperature (10 sec.)	$T_{is}$	260	°C
<b>Features:</b> <ul style="list-style-type: none"> <li>● 960nm</li> <li>● 4~6um SM Fiber</li> <li>● Coaxial package</li> <li>● Built-in PD</li> </ul>			
<b>Applications:</b> <ul style="list-style-type: none"> <li>● Medical laser treatment</li> <li>● others</li> </ul>			
<b>Specifications</b>	<b>WSLP-960-030m-4-PD</b>		
	Min	Type	Max
Center Wavelength@25°C	950nm	960nm	975nm
Spectral Width (FWHM)	----	2.0nm	----
Output Power	----	30mW	----
Fiber Core	4~6um Single Mode Fiber		
Slope Efficiency	----	0.8mW/mA	----
Monitor Current	0.07mA	----	----
PD Reverse Voltage	----	30V	----
Fiber Connector	FC/ST/SMA905		
Fiber Length	----	80cm	100cm
Threshold Current (Typ.)	----	50mA	80mA
Operating Current (Typ.)	----	200mA	250mA
Operating Voltage	----	1.8V	2.4V
Package Style	Coaxial		



### Coaxial Package View



### PIN Bottom View:



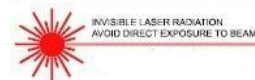
<b>1</b>	<b>LD(-)</b>
<b>2</b>	<b>LD(+)&amp;PD(-)</b>
<b>3</b>	<b>PD(+)</b>

Electrically shorten LD module and store in non-extreme conditions.

Suggest using the constant current power supply.

**Caution**

On operation, if optical connectors are unterminated, modules can emit invisible laser radiation. Radiation emitted by laser devices can be dangerous to the eyes. Avoided eye or skin exposure to direct or scattered radiation.



Invisible Laser Radiation  
 Avoid Direct Exposure to Beam  
 Class 3B Laser Product

