

## 760nm 5mw Coaxial Fiber Coupled Laser Diode

### 760nm Pigtailed LD with MM Fiber

WSLP-760-005m-M-PD

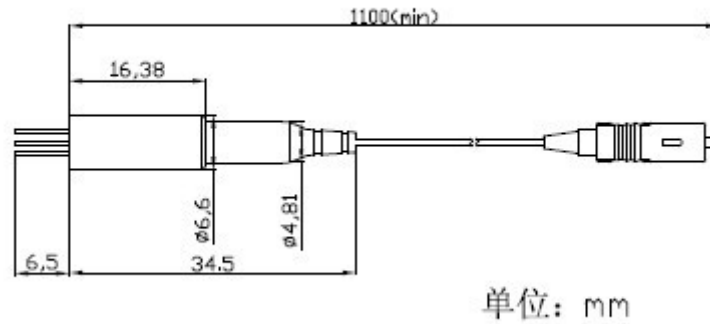
Wavespectrum laser inc.

[www.wavespectrum-laser.com](http://www.wavespectrum-laser.com)

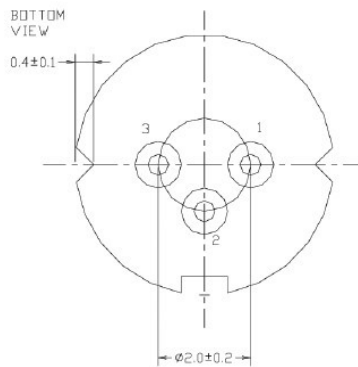
PARAMETER	SYMBOL	VALUE	UNIT
Reverse Voltage	$V_r$	2.0	V
Operating Temperature	$T_{op}$	-40 ~ +40	°C
Storage Temperature	$T_{stg}$	-40 ~ +85	°C
Lead soldering temperature (10 sec.)	$T_{is}$	260	°C
<b>Features:</b> <ul style="list-style-type: none"> <li>● 760nm</li> <li>● MM Fiber</li> <li>● Coaxial package</li> <li>● Built-in PD</li> </ul>			
<b>Applications:</b> <ul style="list-style-type: none"> <li>● Medical laser treatment</li> <li>● others</li> </ul>			
<b>Specifications</b>	<b>WSLP-760-005m-M-PD</b>		
	Min	Type	Max
Center Wavelength@25°C	755nm	760nm	765nm
Spectral Width (FWHM)	----	----	2nm
Output Power	----	5mW	----
Fiber Core	62.5um、105um or Customized Fiber		
Slope Efficiency	----	0.7mW/mA	----
Monitor Current	0.05mA	----	4mA
PD Reverse Voltage	----	30V	----
Fiber Connector	FC/ST/SMA905		
Fiber Length	----	80cm	100cm
Threshold Current (Typ.)	----	55mA	75mA
Operating Current (Typ.)	----	80mA	105mA
Operating Voltage	----	2.5V	----
Package Style	Coaxial		



### Coaxial Package View



### PIN Bottom View:



<b>1</b>	<b>LD(-)</b>
<b>2</b>	<b>LD(+)&amp;PD(-)</b>
<b>3</b>	<b>PD(+)</b>

Electrically shorten LD module and store in non-extreme conditions.

Suggest using the constant current power supply.

**Caution**

On operation, if optical connectors are unterminated, modules can emit invisible laser radiation. Radiation emitted by laser devices can be dangerous to the eyes. Avoided eye or skin exposure to direct or scattered radiation.



Invisible Laser Radiation  
 Avoid Direct Exposure to Beam  
 Class 3B Laser Product

