


760nm 2mw SM Coaxial Pigtailed LD with Single Mode Fiber

760nm Fiber Coupled Laser Diode with SM Fiber

WSLP-760-002m-4-PD

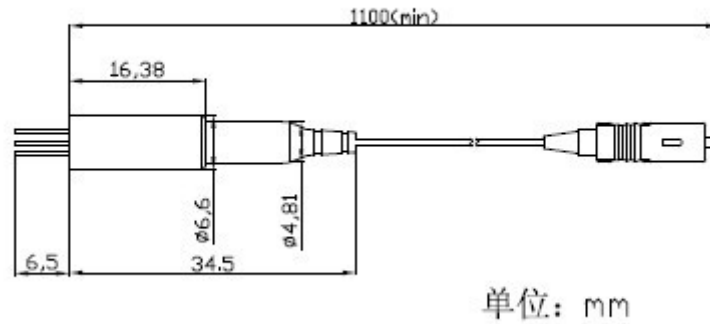
Wavespectrum laser inc.

www.wavespectrum-laser.com

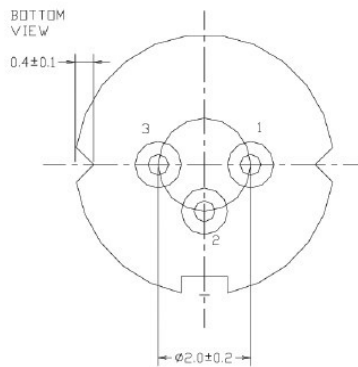
PARAMETER	SYMBOL	VALUE	UNIT
Reverse Voltage	V_r	2.0	V
Operating Temperature	T_{op}	-40 ~ +40	°C
Storage Temperature	T_{stg}	-40 ~ +85	°C
Lead soldering temperature (10 sec.)	T_{is}	260	°C
Features: <ul style="list-style-type: none"> ● 760nm ● 4um SM Fiber ● Coaxial package ● Built-in PD 			
Applications: <ul style="list-style-type: none"> ● Medical laser treatment ● others 			
Specifications	WSLP-760-002m-4-PD		
	Min	Type	Max
Center Wavelength@25°C	755nm	760nm	765nm
Spectral Width (FWHM)	----	----	2nm
Output Power	----	2mW	----
Fiber Core	4um		
Slope Efficiency	----	0.7mW/mA	----
Monitor Current	0.05mA	----	4mA
PD Reverse Voltage	----	30V	----
Fiber Connector	FC/ST/SMA905		
Fiber Length	----	80cm	100cm
Threshold Current (Typ.)	----	55mA	75mA
Operating Current (Typ.)	----	80mA	105mA
Operating Voltage	----	2.5V	----
Package Style	Coaxial		



Coaxial Package View



PIN Bottom View:



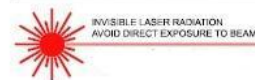
1	LD(-)
2	LD(+)&PD(-)
3	PD(+)

Electrically shorten LD module and store in non-extreme conditions.

Suggest using the constant current power supply.

Caution

On operation, if optical connectors are unterminated, modules can emit invisible laser radiation. Radiation emitted by laser devices can be dangerous to the eyes. Avoided eye or skin exposure to direct or scattered radiation.



Invisible Laser Radiation
 Avoid Direct Exposure to Beam
 Class 3B Laser Product

