

**730nm 5mw Coaxial Fiber Coupled Laser Diode**  
**730nm Pigtailed LD with MM Fiber**

WSLP-730-005m-M-PD

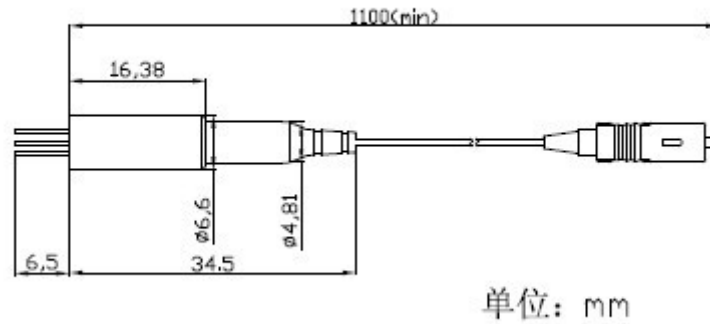
Wavespectrum laser inc.

[www.wavespectrum-laser.com](http://www.wavespectrum-laser.com)

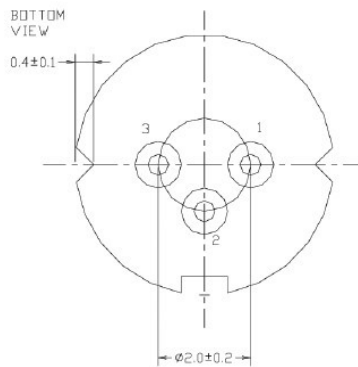
PARAMETER	SYMBOL	VALUE	UNIT
Reverse Voltage	$V_r$	2.0	V
Operating Temperature	$T_{op}$	-40 ~ +40	°C
Storage Temperature	$T_{stg}$	-40 ~ +85	°C
Lead soldering temperature (10 sec.)	$T_{is}$	260	°C
<b>Features:</b> <ul style="list-style-type: none"> <li>● 730nm</li> <li>● MM Fiber</li> <li>● Coaxial package</li> <li>● Built-in PD</li> </ul>			
<b>Applications:</b> <ul style="list-style-type: none"> <li>● Medical laser treatment</li> <li>● others</li> </ul>			
<b>Specifications</b>	<b>WSLP-730-005m-M-PD</b>		
	Min	Type	Max
Center Wavelength@25°C	725nm	735nm	745nm
Spectral Width (FWHM)	----	0.3nm	----
Output Power	----	5mW	----
Fiber Core	62.5um、105um or Customized Fiber		
Slope Efficiency	----	0.7mW/mA	----
Monitor Current	0.15mA	----	1.5mA
PD Reverse Voltage	----	30V	----
Fiber Connector	FC/ST/SMA905		
Fiber Length	----	80cm	100cm
Threshold Current (Typ.)	----	70mA	90mA
Operating Current (Typ.)	----	100mA	140mA
Operating Voltage	----	2.5V	----
Package Style	Coaxial		



### Coaxial Package View



### PIN Bottom View:



<b>1</b>	<b>LD(-)</b>
<b>2</b>	<b>LD(+)&amp;PD(-)</b>
<b>3</b>	<b>PD(+)</b>

Electrically shorten LD module and store in non-extreme conditions.

Suggest using the constant current power supply.

**Caution**

On operation, if optical connectors are unterminated, modules can emit invisible laser radiation. Radiation emitted by laser devices can be dangerous to the eyes. Avoided eye or skin exposure to direct or scattered radiation.



Invisible Laser Radiation  
 Avoid Direct Exposure to Beam  
 Class 3B Laser Product

