


## 730nm 2mw SM Coaxial Pigtailed LD with Single Mode Fiber

### 730nm Fiber Coupled Laser Diode with SM Fiber

WSLP-730-002m-4-PD

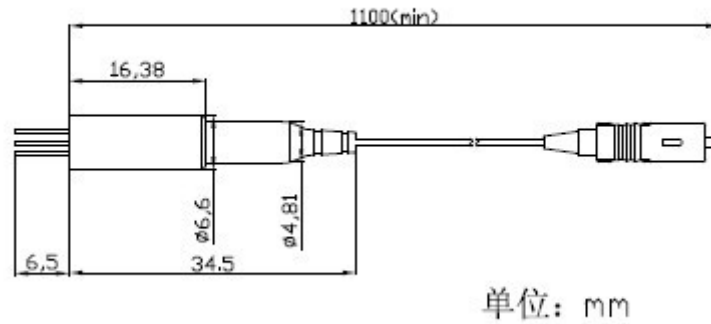
Wavespectrum laser inc.

[www.wavespectrum-laser.com](http://www.wavespectrum-laser.com)

| PARAMETER  | SYMBOL   | VALUE     | UNIT  |
|--|--|-----------|-------|
| Reverse Voltage  | $V_r$  | 2.0       | V     |
| Operating Temperature  | $T_{op}$   | -40 ~ +40 | °C    |
| Storage Temperature  | $T_{stg}$  | -40 ~ +85 | °C    |
| Lead soldering temperature (10 sec.)   | $T_{is}$   | 260       | °C    |
| <b>Features:</b> <ul style="list-style-type: none"> <li>● 730nm</li> <li>● 4um SM Fiber</li> <li>● Coaxial package</li> <li>● Built-in PD</li> </ul> |  |           |       |
| <b>Applications:</b> <ul style="list-style-type: none"> <li>● Medical laser treatment</li> <li>● others</li> </ul>                                   |  |           |       |
| <b>Specifications</b>  | <b>WSLP-730-002m-4-PD</b>  |           |       |
|  | Min  | Type      | Max   |
| Center Wavelength@25°C   | 725nm  | 735nm     | 745nm |
| Spectral Width (FWHM)  | ----   | 0.3nm     | ----  |
| Output Power   | ----   | 2mW       | ----  |
| Fiber Core   | 4um  |           |       |
| Slope Efficiency   | ----   | 0.7mW/mA  | ----  |
| Monitor Current  | 0.15mA   | ----      | 1.5mA |
| PD Reverse Voltage   | ----   | 30V       | ----  |
| Fiber Connector  | FC/ST/SMA905   |           |       |
| Fiber Length   | ----   | 80cm      | 100cm |
| Threshold Current (Typ.)   | ----   | 70mA      | 90mA  |
| Operating Current (Typ.)   | ----   | 100mA     | 140mA |
| Operating Voltage  | ----   | 2.5V      | ----  |
| Package Style  | Coaxial  |           |       |



### Coaxial Package View



### PIN Bottom View:



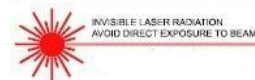
|          |                        |
|----------|------------------------|
| <b>1</b> | <b>LD(-)</b>           |
| <b>2</b> | <b>LD(+)&amp;PD(-)</b> |
| <b>3</b> | <b>PD(+)</b>           |

Electrically shorten LD module and store in non-extreme conditions.

Suggest using the constant current power supply.

**Caution**

On operation, if optical connectors are unterminated, modules can emit invisible laser radiation. Radiation emitted by laser devices can be dangerous to the eyes. Avoided eye or skin exposure to direct or scattered radiation.



Invisible Laser Radiation  
 Avoid Direct Exposure to Beam  
 Class 3B Laser Product

