


## 705nm 15mw SM Coaxial Pigtailed Laser Diode

### 705nm Fiber Coupled LD with SM Fiber

WSLP-705-015m-4-PD

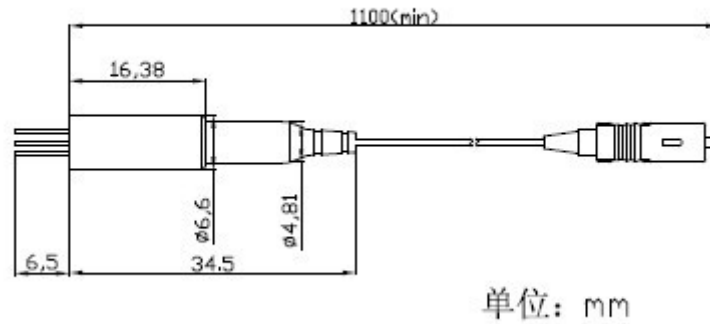
Wavespectrum laser inc.

[www.wavespectrum-laser.com](http://www.wavespectrum-laser.com)

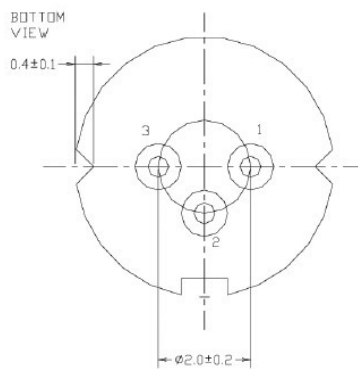
PARAMETER	SYMBOL	VALUE	UNIT
Reverse Voltage	$V_r$	2.0	V
Operating Temperature	$T_{op}$	-10 ~ +60	°C
Storage Temperature	$T_{stg}$	-40 ~ +85	°C
Lead soldering temperature (10 sec.)	$T_{is}$	260	°C
<b>Features:</b> <ul style="list-style-type: none"> <li>● 705nm</li> <li>● 4um SM Fiber</li> <li>● Coaxial package</li> <li>● Built-in PD</li> </ul>			
<b>Applications:</b> <ul style="list-style-type: none"> <li>● Medical laser treatment</li> <li>● others</li> </ul>			
<b>Specifications</b>	<b>WSLP-705-015m-4-PD</b>		
	Min	Type	Max
Center Wavelength@25°C	695nm	705nm	715nm
Spectral Width (FWHM)	----	----	2.0nm
Output Power	----	----	15mw
Fiber Core	4um		
Slope Efficiency	0.7mW/mA	0.9mW/mA	1.4mW/mA
Monitor Current	0.15mA	0.3mA	0.6mA
PD Reverse Voltage	----	30V	----
Fiber Connector	FC/ST/SMA905		
Fiber Length	----	80cm	100cm
Threshold Current (Typ.)	----	30mA	60mA
Operating Current (Typ.)	----	75mA	100mA
Operating Voltage	----	2.5V	----
Package Style	Coaxial		



### Coaxial Package View



### PIN Bottom View:



<b>1</b>	<b>LD(+)</b>
<b>2</b>	<b>LD(-)&amp;PD(+)</b>
<b>3</b>	<b>PD(-)</b>

Electrically shorten LD module and store in non-extreme conditions.

Suggest using the constant current power supply.

**Caution**

On operation, if optical connectors are unterminated, modules can emit invisible laser radiation. Radiation emitted by laser devices can be dangerous to the eyes. Avoided eye or skin exposure to direct or scattered radiation.



Invisible Laser Radiation  
 Avoid Direct Exposure to Beam  
 Class 3B Laser Product

