

## 690nm 10mw SM Coaxial Pigtail Laser Diode

### 690nm Fiber Coupled LD with SM Fiber

WSLP-690-010m-4-PD

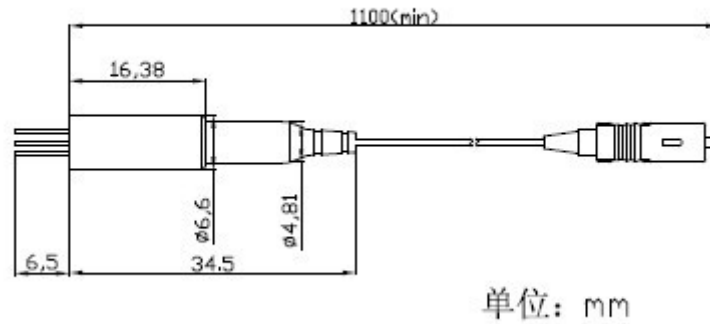
Wavespectrum laser inc.

[www.wavespectrum-laser.com](http://www.wavespectrum-laser.com)

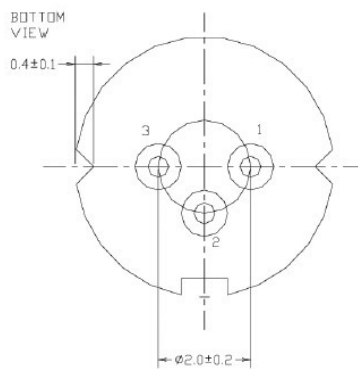
PARAMETER	SYMBOL	VALUE	UNIT
Reverse Voltage	$V_r$	2.0	V
Operating Temperature	$T_{op}$	-10 ~ +70	°C
Storage Temperature	$T_{stg}$	-40 ~ +85	°C
Lead soldering temperature (10 sec.)	$T_{is}$	260	°C
<b>Features:</b> <ul style="list-style-type: none"> <li>● 690nm</li> <li>● 4um SM Fiber</li> <li>● Coaxial package</li> <li>● Built-in PD</li> </ul>			
<b>Applications:</b> <ul style="list-style-type: none"> <li>● Medical laser treatment</li> <li>● Printing</li> </ul>			
<b>Specifications</b>	<b>WSLP-690-010m-4-PD</b>		
	Min	Type	Max
Center Wavelength@25°C	680nm	690nm	695nm
Spectral Width (FWHM)	----	----	2.0nm
Output Power	----	10mw	----
Fiber Core	4um		
Slope Efficiency	0.5mW/mA	0.7mW/mA	0.9mW/mA
Monitor Current	0.02mA	0.1mA	0.45mA
PD Reverse Voltage	----	30V	----
Fiber Connector	FC/ST/SMA905		
Fiber Length	----	80cm	100cm
Threshold Current (Typ.)	----	45mA	----
Operating Current (Typ.)	----	90mA	----
Operating Voltage	----	2.5V	2.8V
Package Style	Coaxial		



### Coaxial Package View



### PIN Bottom View:

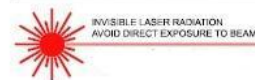


<b>1</b>	<b>LD(+)</b>
<b>2</b>	<b>LD(-)&amp;PD(+)</b>
<b>3</b>	<b>PD(-)</b>

Electrically shorten LD module and store in non-extreme conditions.

Suggest using the constant current power supply.

**Caution**  
 On operation, if optical connectors are unterminated, modules can emit invisible laser radiation. Radiation emitted by laser devices can be dangerous to the eyes. Avoided eye or skin exposure to direct or scattered radiation.



Invisible Laser Radiation  
 Avoid Direct Exposure to Beam  
 Class 3B Laser Product

