


690nm 10mw Coaxial Pigtailed LD with MM Fiber
690nm Fiber Coupled Laser Diode

WSLP-690-010m-M-PD

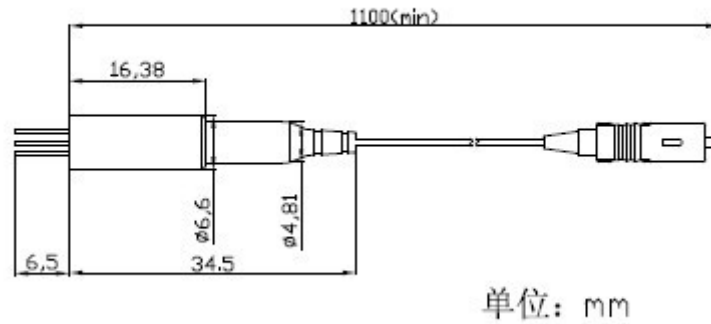
Wavespectrum laser inc.

www.wavespectrum-laser.com

PARAMETER	SYMBOL	VALUE	UNIT
Reverse Voltage	V_r	2.0	V
Operating Temperature	T_{op}	-10 ~ +70	°C
Storage Temperature	T_{stg}	-40 ~ +85	°C
Lead soldering temperature (10 sec.)	T_{is}	260	°C
Features: <ul style="list-style-type: none"> ● 690nm ● With MM Fiber ● Coaxial package ● Built-in PD 			
Applications: <ul style="list-style-type: none"> ● Medical laser treatment ● Printing 			
Specifications	WSLP-690-010m-M-PD		
	Min	Type	Max
Center Wavelength@25°C	680nm	690nm	695nm
Spectral Width (FWHM)	----	----	2.0nm
Output Power	----	10mw	----
Fiber Core	62.5um 、 105um optional		
Slope Efficiency	0.5mW/mA	0.7mW/mA	0.9mW/mA
Monitor Current	0.02mA	0.1mA	0.45mA
PD Reverse Voltage	----	30V	----
Fiber Connector	FC/ST/SMA905		
Fiber Length	----	80cm	100cm
Threshold Current (Typ.)	----	45mA	----
Operating Current (Typ.)	----	90mA	----
Operating Voltage	----	2.5V	2.8V
Package Style	Coaxial		



Coaxial Package View



PIN Bottom View:



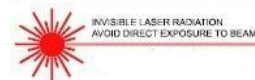
1	LD(+)
2	LD(-)&PD(+)
3	PD(-)

Electrically shorten LD module and store in non-extreme conditions.

Suggest using the constant current power supply.

Caution

On operation, if optical connectors are unterminated, modules can emit invisible laser radiation. Radiation emitted by laser devices can be dangerous to the eyes. Avoided eye or skin exposure to direct or scattered radiation.



Invisible Laser Radiation
 Avoid Direct Exposure to Beam
 Class 3R Laser Product

