


980nm 15mW SM Coaxial Pigtailed Laser Diode

976nm~980nm Fiber Coupled LD with SMF

WSLP-980-015m-9-PD

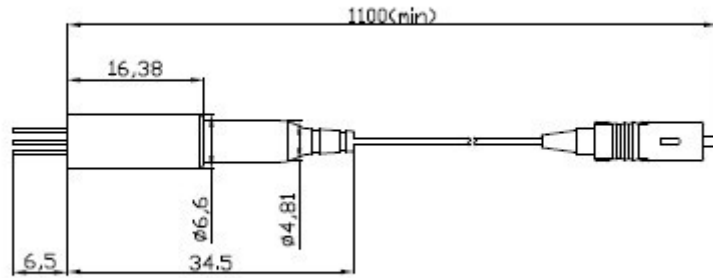
Wavespectrum laser inc.

www.wavespectrum-laser.com

980nm Pigtailed Diode Laser		15mW/SM Fiber		Wavespectrum Laser, Inc	
PARAMETER	SYMBOL	VALUE	UNIT		
Reverse Voltage	V_r	2.0	V		
Operating Temperature	T_{op}	-10 ~ +40	°C		
Storage Temperature	T_{stg}	-40 ~ +85	°C		
Lead soldering temperature (10 sec.)	T_{is}	260	°C		
Features: <ul style="list-style-type: none"> ● 980nm ● SM Fiber ● Coaxial package ● Built-in PD 					
Applications: <ul style="list-style-type: none"> ● Medical laser treatment ● Communication 					
Specifications		WSLP-980-015m-9-PD			
	Min	Type	Max		
Center Wavelength@25°C	970nm	980nm	990nm		
Spectral Width (FWHM)	----	2.0nm	3.0nm		
Output Power	----	15mW	17mW		
Fiber Core	9 um				
Slope Efficiency	0.8mW/mA	0.9mW/mA	----		
Monitor Current	----	0.1mA	----		
PD Reverse Voltage	----	30V	----		
Fiber Connector	FC/ST/SMA905				
Fiber Length	----	80cm	100cm		
Threshold Current (Typ.)	----	35mA	45mA		
Operating Current (Typ.)	----	90mA	90mA		
Operating Voltage	----	2.0V	2.5V		
Package Style	Coaxial				

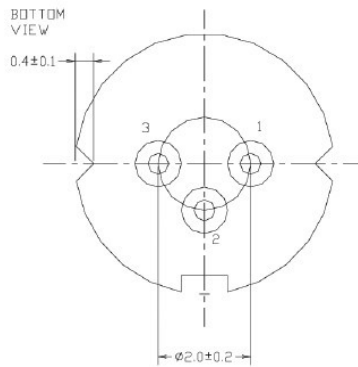


Coaxial Package View



单位: mm

PIN Bottom View:



1	LD(+)
2	LD(-)&PD(+)
3	PD(-)

Electrically shorten LD module and store in non-extreme conditions.

Suggest using the constant current power supply.

