


976nm~980nm 100mW Coaxial Pigtail LD with MMF
980nm Fiber Coupled Laser Diode

WSLP-980-100m-105M-PD

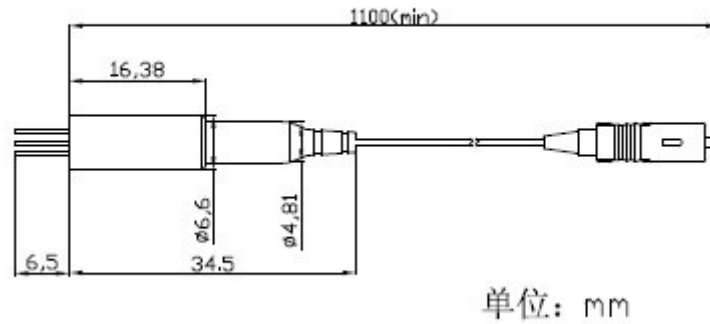
Wavespectrum laser inc.

www.wavespectrum-laser.com

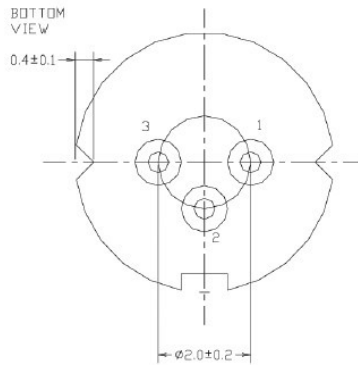
980nm Pigtailed Diode Laser		100mW/MM Fiber		Wavespectrum Laser, Inc	
PARAMETER	SYMBOL	VALUE	UNIT		
Reverse Voltage	V_r	2.0	V		
Operating Temperature	T_{op}	-10 ~ +40	°C		
Storage Temperature	T_{stg}	-40 ~ +85	°C		
Lead soldering temperature (10 sec.)	T_{is}	260	°C		
Features: <ul style="list-style-type: none"> ● 980nm ● MM Fiber ● Coaxial package ● Built-in PD 					
Applications: <ul style="list-style-type: none"> ● Medical laser treatment ● Printing 					
Specifications	WSLP-980-100m-105M-PD				
	Min	Type	Max		
Center Wavelength@25°C	970nm	980nm	990nm		
Spectral Width (FWHM)	----	2.0nm	3.0nm		
Output Power	----	100mW	----		
Fiber Core	105 um				
Slope Efficiency	0.8mW/mA	0.9mW/mA	----		
Monitor Current	----	2000uA	----		
PD Reverse Voltage	----	30V	----		
Fiber Connector	FC/ST/SMA905				
Fiber Length	----	80cm	100cm		
Threshold Current (Typ.)	----	55mA	----		
Operating Current (Typ.)	----	350mA	----		
Operating Voltage	----	1.9V	2.2V		
Package Style	Coaxial				



Coaxial Package View



PIN Bottom View:



1	LD(+)
2	LD(-)&PD(-)
3	PD(+)

Electrically shorten LD module and store in non-extreme conditions.

Suggest using the constant current power supply.

