
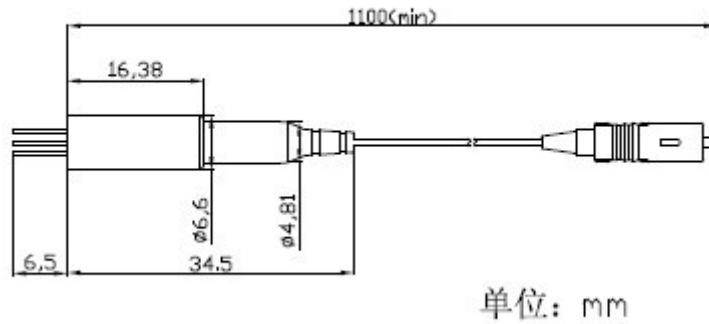


870nm 5mw Coaxial Pigtailed Laser Diode with MM Fiber
870nm~880nm Fiber Coupled LD with MMF
WSLP-880-005m-105M-PD

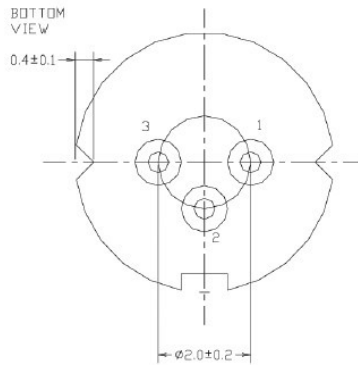
880nm Pigtailed Diode Laser		5mW/MM Fiber		Wavespectrum Laser, Inc	
PARAMETER	SYMBOL	VALUE	UNIT		
Reverse Voltage	V_r	2.0	V		
Operating Temperature	T_{op}	-10 ~ +60	°C		
Storage Temperature	T_{stg}	-10 ~ +85	°C		
Lead soldering temperature (10 sec.)	T_{is}	260	°C		
Features: <ul style="list-style-type: none"> ● 880nm ● MM Fiber ● Coaxial package ● Built-in PD 					
Applications: <ul style="list-style-type: none"> ● Medical laser treatment ● Printing 					
Specifications		WSLP-880-005m-105M-PD			
	Min	Type	Max		
Center Wavelength@25°C	870nm	880nm	890nm		
Spectral Width (FWHM)	----	----	----		
Output Power	----	5mW	----		
Fiber Type	105um MM fiber				
Slope Efficiency	0.3mW/mA	0.5mW/mA	----		
Monitor Current	0.2mA	----	0.6mA		
PD Reverse Voltage	----	30V	----		
Fiber Connector	FC/ST/SMA905				
Fiber Length	----	80cm	100cm		
Threshold Current (Typ.)	----	10mA	15mA		
Operating Current (Typ.)	----	29mA	35mA		
Operating Voltage	----	2.2V	2.5V		
Package Style	Coaxial				



Coaxial Package View



PIN Bottom View:



1	PD(+)
2	LD(+)&PD(-)
3	LD(-)

Electrically shorten LD module and store in non-extreme conditions.

Suggest using the constant current power supply.

