


840nm 30mW Coaxial Fiber coupled Laser Diode| LD with MMF

840nm~850nm Pigtailed LD with MM Fiber

WSLP-850-030m-105M-PD

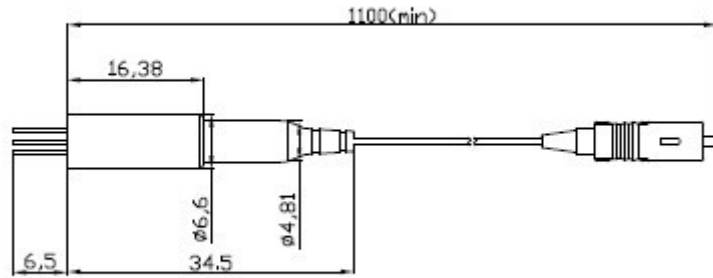
Wavespectrum laser inc.

www.wavespectrum-laser.com

850nm Pigtailed Diode Laser		30mW/MM Fiber		Wavespectrum Laser, Inc	
PARAMETER	SYMBOL	VALUE	UNIT		
Reverse Voltage	V_r	2.0	V		
Operating Temperature	T_{op}	-10~+40	°C		
Storage Temperature	T_{stg}	-15 ~ +85	°C		
Lead soldering temperature (10 sec.)	T_{is}	260	°C		
Features: <ul style="list-style-type: none"> 850nm MM Fiber Coaxial package Built-in PD 					
Applications: <ul style="list-style-type: none"> Medical laser treatment Printing 					
Specifications		WSLP-850-030m-105M-PD			
	Min	Type	Max		
Center Wavelength@25°C	830nm	850nm	855nm		
Spectral Width (FWHM)	----	2.0nm	----		
Output Power	----	30mW	----		
Fiber Core	105um				
Slope Efficiency	0.7mW/mA	0.9mW/mA	----		
Monitor Current	----	0.1mA	----		
PD Reverse Voltage	----	30V	----		
Fiber Connector	FC/ST/SMA905				
Fiber Length	----	80cm	100cm		
Threshold Current (Typ.)	----	28mA	35mA		
Operating Current (Typ.)	----	85mA	110mA		
Operating Voltage	1.5V	1.8V	2.1V		
Package Style	Coaxial				

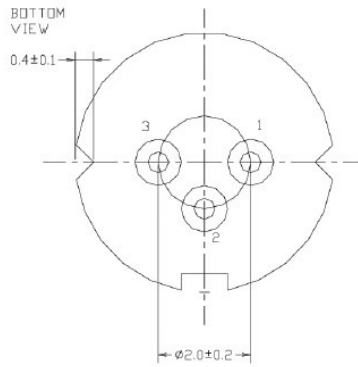


Coaxial Package View



单位: mm

PIN Bottom View:



1	PD(+)
2	LD(+)&PD(-)
3	LD(-)

Electrically shorten LD module and store in non-extreme conditions.

Suggest using the constant current power supply.

