


**850nm 5mW Coaxial Package Fiber Coupled LD**  
**840nm~850nm Pigtail Laser Diode with MMF**

WSLP-850-005m-105M-PD

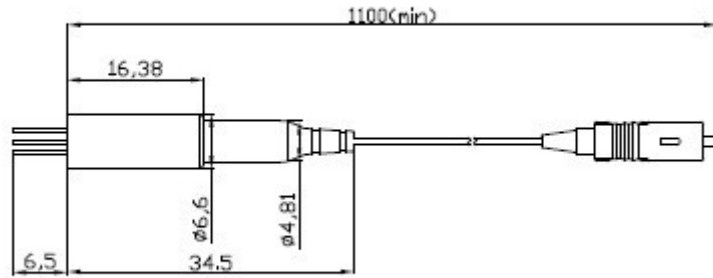
Wavespectrum laser inc.

[www.wavespectrum-laser.com](http://www.wavespectrum-laser.com)

850nm Pigtailed Diode Laser		5mW/MM Fiber		Wavespectrum Laser, Inc	
PARAMETER	SYMBOL	VALUE	UNIT		
Reverse Voltage	$V_r$	2.0	V		
Operating Temperature	$T_{op}$	-10 ~ +60	°C		
Storage Temperature	$T_{stg}$	-40 ~ +85	°C		
Lead soldering temperature (10 sec.)	$T_{is}$	260	°C		
<b>Features:</b> <ul style="list-style-type: none"> <li>● 850nm</li> <li>● MM Fiber</li> <li>● Coaxial package</li> <li>● Built-in PD</li> </ul>					
<b>Applications:</b> <ul style="list-style-type: none"> <li>● Medical laser treatment</li> <li>● Others</li> </ul>					
<b>Specifications</b>		<b>WSLP-850-005m-105M-PD</b>			
	Min	Type	Max		
Center Wavelength@25°C	830nm	850nm	855nm		
Spectral Width (FWHM)	----	2.0nm	----		
Output Power	----	5mW	----		
Fiber Core	105um				
Slope Efficiency	----	0.7mW/mA	----		
Monitor Current	----	0.3mA	----		
PD Reverse Voltage	----	30V	----		
Fiber Connector	FC/ST/SMA905				
Fiber Length	----	80cm	100cm		
Threshold Current (Typ.)	----	17mA	23mA		
Operating Current (Typ.)	----	28mA	38mA		
Operating Voltage	----	1.7V	2.1V		
Package Style	Coaxial				

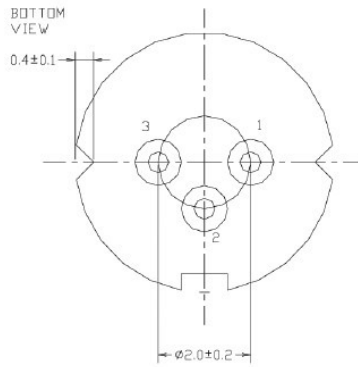


### Coaxial Package View



单位: mm

### PIN Bottom View:



<b>1</b>	<b>PD(+)</b>
<b>2</b>	<b>LD(+)&amp;PD(-)</b>
<b>3</b>	<b>LD(-)</b>

Electrically shorten LD module and store in non-extreme conditions.

Suggest using the constant current power supply.

