
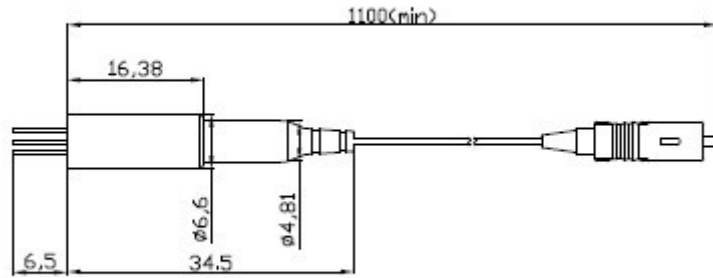


**850nm 2mw SM Coaxial Pigtailed laser diode**  
**840nm~850nm Fiber Coupled LD with single mode fiber**  
**WSLP-850-002m-9-PD**

850nm Pigtailed Diode Laser		2mW/9um SM Fiber		Wavespectrum Laser, Inc	
PARAMETER	SYMBOL	VALUE	UNIT		
Reverse Voltage	$V_r$	2.0	V		
Operating Temperature	$T_{op}$	-10 ~ +60	°C		
Storage Temperature	$T_{stg}$	-40 ~ +85	°C		
Lead soldering temperature (10 sec.)	$T_{is}$	260	°C		
<b>Features:</b> <ul style="list-style-type: none"> <li>● 850nm</li> <li>● 9um SM Fiber</li> <li>● Coaxial package</li> <li>● Built-in PD</li> </ul>					
<b>Applications:</b> <ul style="list-style-type: none"> <li>● Medical laser treatment</li> <li>● Printing</li> </ul>					
<b>Specifications</b>	<b>WSLP-850-002m-9-PD</b>				
	Min	Type	Max		
Center Wavelength@25°C	835nm	850nm	855nm		
Spectral Width (FWHM)	----	----	----		
Output Power	----	1.5mW	2mw		
Fiber Core	9um SMF				
Slope Efficiency	----	0.7mW/mA	----		
Monitor Current	----	0.3mA	----		
PD Reverse Voltage	----	30V	----		
Fiber Connector	FC/ST/SMA905				
Fiber Length	----	80cm	100cm		
Threshold Current (Typ.)	----	17mA	23mA		
Operating Current (Typ.)	----	28mA	38mA		
Operating Voltage	----	1.7V	2.1V		
Package Style	Coaxial				

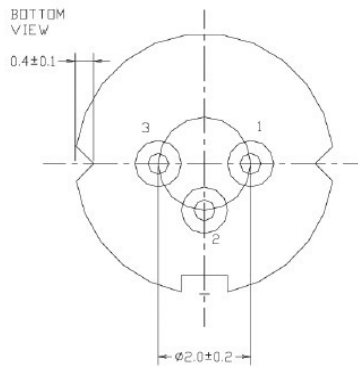


### Coaxial Package View



单位: mm

### PIN Bottom View:



<b>1</b>	<b>PD(+)</b>
<b>2</b>	<b>LD(+)&amp;PD(-)</b>
<b>3</b>	<b>LD(-)</b>

Electrically shorten LD module and store in non-extreme conditions.

Suggest using the constant current power supply.

