
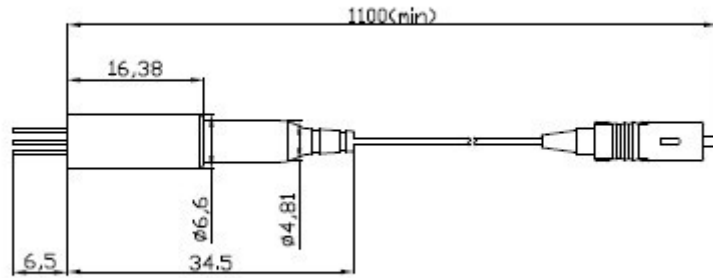


830nm~840nm 1mW SM Fiber Coupled Laser diode with PMF
830nm Pigtailed Coaxial LD with Polarization Maintaining Fiber
WSLP-830-001m-PM-PD

830nm Pigtailed Diode Laser		1mW/PM Fiber		Wavespectrum Laser, Inc	
PARAMETER	SYMBOL	VALUE	UNIT		
Reverse Voltage	V_r	2.0	V		
Operating Temperature	T_{op}	-10 ~ +40	°C		
Storage Temperature	T_{stg}	-10 ~ +85	°C		
Lead soldering temperature (10 sec.)	T_{is}	260	°C		
Features: <ul style="list-style-type: none"> ● 830nm ● PM Fiber ● Coaxial package ● Built-in PD 					
Applications: <ul style="list-style-type: none"> ● Medical laser treatment ● Printing 					
Specifications		WSLP-830-001m-PM-PD			
	Min	Type	Max		
Center Wavelength@25°C	810nm	820nm	830nm		
Spectral Width (FWHM)	----	----	----		
Output Power	----	1mw	----		
Fiber Core	PM Fiber				
Slope Efficiency	0.3mW/mA	0.7mW/mA	----		
Monitor Current	----	0.1mA	----		
PD Reverse Voltage	----	30V	----		
Fiber Connector	FC/ST/SMA905				
Fiber Length	----	80cm	100cm		
Threshold Current (Typ.)	----	10mA	15mA		
Operating Current (Typ.)	----	18mA	25mA		
Operating Voltage	----	1.7V	2.3V		
Package Style	Coaxial				

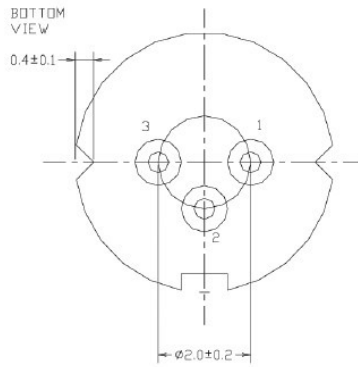


Coaxial Package View



单位: mm

PIN Bottom View:



1	PD(+)
2	LD(+)&PD(-)
3	LD(-)

Electrically shorten LD module and store in non-extreme conditions.

Suggest using the constant current power supply.

