


## 808nm 810nm 80mW~120mW Coaxial Pigtailed Laser Diode Module

### 808nm Fiber Coupled LD with MMF

WSLP-808-080m-M-PD

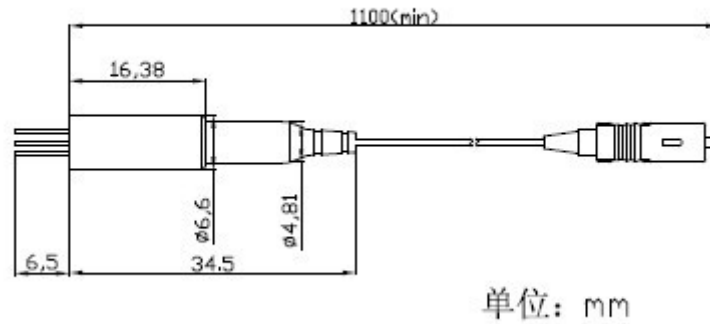
Wavespectrum laser inc.

[www.wavespectrum-laser.com](http://www.wavespectrum-laser.com)

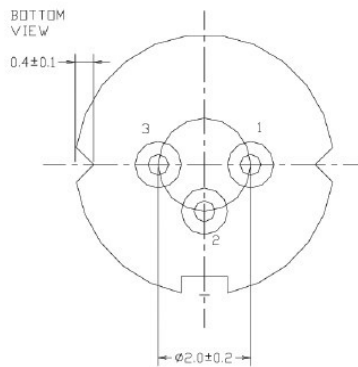
808nm Pigtailed Diode Laser		80mW/MM Fiber		Wavespectrum Laser, Inc	
PARAMETER	SYMBOL	VALUE	UNIT		
Reverse Voltage	$V_r$	2.0	V		
Operating Temperature	$T_{op}$	-10 ~ +40	°C		
Storage Temperature	$T_{stg}$	-40 ~ +80	°C		
Lead soldering temperature (10 sec.)	$T_{is}$	260	°C		
<b>Features:</b> <ul style="list-style-type: none"> <li>● 808nm</li> <li>● MM Fiber</li> <li>● Coaxial package</li> <li>● Built-in PD</li> </ul>					
<b>Applications:</b> <ul style="list-style-type: none"> <li>● Medical laser treatment</li> <li>● Others</li> </ul>					
<b>Specifications</b>		<b>WSLP-808-080m-M-PD</b>			
	Min	Type	Max		
Center Wavelength@25°C	805nm	808nm	811nm		
Spectral Width (FWHM)	----	2.0nm	----		
Output Power	----	80mw	120mW		
Fiber Core	62.5um or 105um				
Slope Efficiency	0.95mW/mA	0.95mW/mA	1.10mW/mA		
Monitor Current	0.1mA	0.5mA	1.0mA		
PD Reverse Voltage	----	30V	----		
Fiber Connector	FC/ST/SMA905				
Fiber Length	----	80cm	100cm		
Threshold Current (Typ.)	----	50mA	60mA		
Operating Current (Typ.)	----	260mA	300mA		
Operating Voltage	----	1.8V	2.2V		
Package Style	Coaxial				



### Coaxial Package View



### PIN Bottom View:



<b>1</b>	<b>PD(+)</b>
<b>2</b>	<b>LD(+)&amp;PD(-)</b>
<b>3</b>	<b>LD(-)</b>

Electrically shorten LD module and store in non-extreme conditions.

Suggest using the constant current power supply.

