


780nm 40mW Coaxial Pigtail Laser Diode Module with MMF

780nm Fiber Coupled Diode Laser with 105um Fiber

WSLP-785-040m-105M-PD

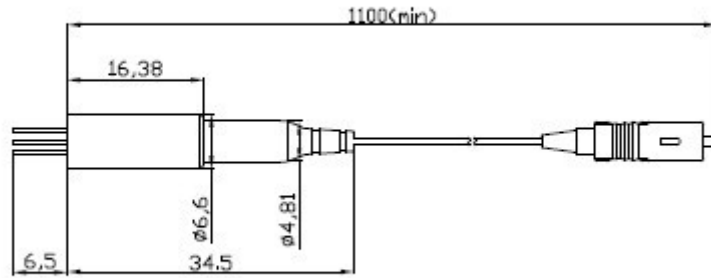
Wavespectrum laser inc.

www.wavespectrum-laser.com

| 785nm Pigtailed Diode Laser | | 40mW/MM Fiber | | Wavespectrum Laser, Inc | |
|--|--------------|--|--------------|-------------------------|--|
| PARAMETER | SYMBOL | VALUE | UNIT | | |
| Reverse Voltage | V_r | 2.0 | V | | |
| Operating Temperature | T_{op} | -10 ~ +50 | °C | | |
| Storage Temperature | T_{stg} | -40 ~ +85 | °C | | |
| Lead soldering temperature (10 sec.) | T_{is} | 260 | °C | | |
| Features: <ul style="list-style-type: none"> ● 785nm ● MM Fiber ● Coaxial package ● Built-in PD | |  | | | |
| Applications: <ul style="list-style-type: none"> ● Medical laser treatment ● Others | | | | | |
| Specifications | | WSLP-785-040m-105M-PD | | | |
| | Min | Type | Max | | |
| Center Wavelength@25°C | 775nm | 785nm | 795nm | | |
| Spectral Width (FWHM) | ---- | 2.0nm | ---- | | |
| Output Power | ---- | 40mw | ---- | | |
| Fiber Core | 105um | | | | |
| Slope Efficiency | ---- | 1.1mW/mA | ---- | | |
| Monitor Current | 0.1mA | 0.25mA | 0.6mA | | |
| PD Reverse Voltage | ---- | 30V | ---- | | |
| Fiber Connector | FC/ST/SMA905 | | | | |
| Fiber Length | ---- | 80cm | 100cm | | |
| Threshold Current (Typ.) | ---- | 30mA | 50mA | | |
| Operating Current (Typ.) | ---- | 100mA | 140mA | | |
| Operating Voltage | ---- | 2.0V | 2.8V | | |
| Package Style | Coaxial | | | | |

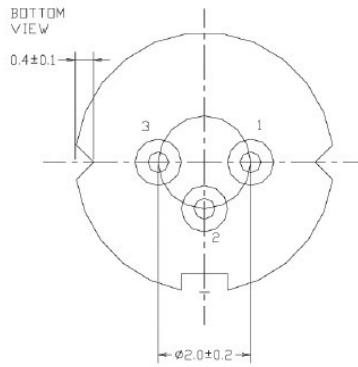


Coaxial Package View



单位: mm

PIN Bottom View:



| | |
|----------|------------------------|
| 1 | PD(-) |
| 2 | LD(-)&PD(+) |
| 3 | LD(+) |

Electrically shorten LD module and store in non-extreme conditions.

Suggest using the constant current power supply.

