


785nm 50mW SM Coaxial Fiber Coupled Laser Diode

785nm Pigtailed LD with Single Mode Fiber

WSLP-785-050m-4

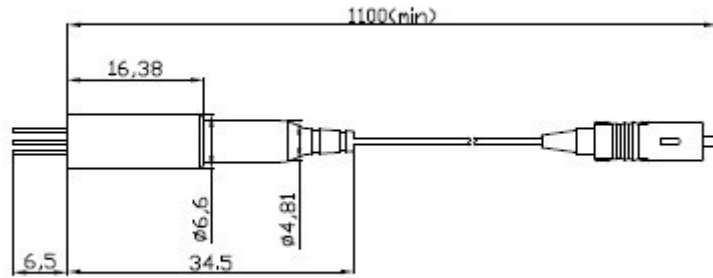
Wavespectrum laser inc.

www.wavespectrum-laser.com

785nm Pigtailed Diode Laser		45mW/SM Fiber		Wavespectrum Laser, Inc	
PARAMETER	SYMBOL	VALUE	UNIT		
Reverse Voltage	V_r	2.0	V		
Operating Temperature	T_{op}	-10 ~ +40	°C		
Storage Temperature	T_{stg}	-40 ~ +85	°C		
Lead soldering temperature (10 sec.)	T_{is}	260	°C		
Features: <ul style="list-style-type: none"> ● 785nm ● SM Fiber ● Coaxial package 					
Applications: <ul style="list-style-type: none"> ● Medical laser treatment ● Others 					
Specifications	WSLP-785-050m-4				
	Min	Type	Max		
Center Wavelength@25°C	775nm	785nm	795nm		
Spectral Width (FWHM)	----	----	----		
Output Power	----	50mw	----		
Fiber Core	4um				
Slope Efficiency	----	1.1mW/mA	----		
Monitor Current	----	----	----		
PD Reverse Voltage	----	----	----		
Fiber Connector	FC/ST/SMA905				
Fiber Length	----	80cm	100cm		
Threshold Current (Typ.)	----	37mA	----		
Operating Current (Typ.)	----	180mA	200mA		
Operating Voltage	----	2.3V	----		
Package Style	Coaxial				

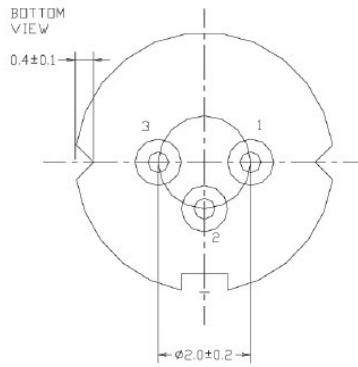


Coaxial Package View



单位: mm

PIN Bottom View:



1	LD(+)
2	LD(-) & Case
3	NC

Electrically shorten LD module and store in non-extreme conditions.

Suggest using the constant current power supply.

