


780nm 40mW SM Pigtailed Coaxial LD with Polarization Maintaining Fiber
780nm Fiber Coupled Laser Diode with PMF

WSLP-785-040m-PM

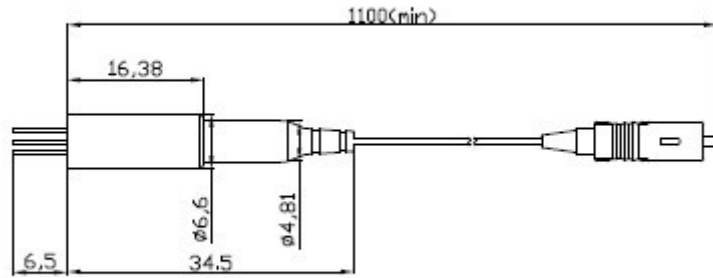
Wavespectrum laser, inc.

www.wavespectrum-laser.com

785nm Pigtailed Diode Laser		40mW/PM Fiber		Wavespectrum Laser, Inc	
PARAMETER	SYMBOL	VALUE	UNIT		
Reverse Voltage	V_r	2.0	V		
Operating Temperature	T_{op}	-10 ~ +40	°C		
Storage Temperature	T_{stg}	-40 ~ +85	°C		
Lead soldering temperature (10 sec.)	T_{is}	260	°C		
Features: <ul style="list-style-type: none"> ● 785nm ● PM Fiber ● Coaxial package 					
Applications: <ul style="list-style-type: none"> ● Medical laser treatment ● Printing 					
Specifications		WSLP-785-040m-PM			
	Min	Type	Max		
Center Wavelength@25°C	775nm	785nm	795nm		
Spectral Width (FWHM)	----	----	----		
Output Power	----	40mW	44mW		
Fiber Core	PM Fiber				
Slope Efficiency	----	1.1mW/mA	----		
Monitor Current	----	----	----		
PD Reverse Voltage	----	----	----		
Fiber Connector	FC/ST/SMA905				
Fiber Length	----	80cm	100cm		
Threshold Current (Typ.)	----	37mA	----		
Operating Current (Typ.)	----	180mA	----		
Operating Voltage	----	2.3V	----		
Package Style	Coaxial				

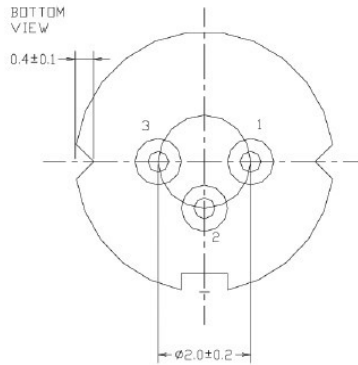


Coaxial Package View



单位: mm

PIN Bottom View:



1	LD(+)
2	LD(-) & Case
3	NC

Electrically shorten LD module and store in non-extreme conditions.

Suggest using the constant current power supply.





WAVE
s p e c t r u m

