


685nm 5mW SM Pigtail Coaxial LD with PMF

685nm Fiber Coupled Laser Diode

WSLP-685-005m-PM-PD

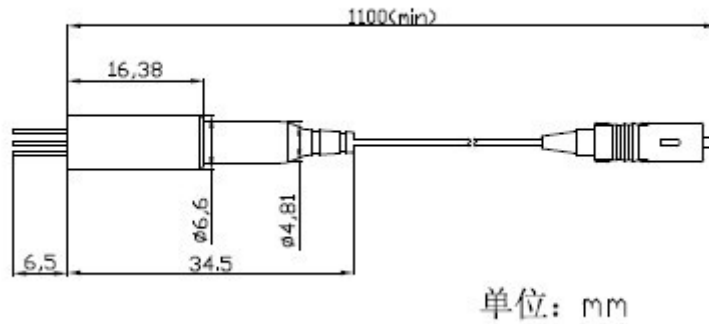
Wavespectrum Laser, Inc.

www.wavespectrum-laser.com

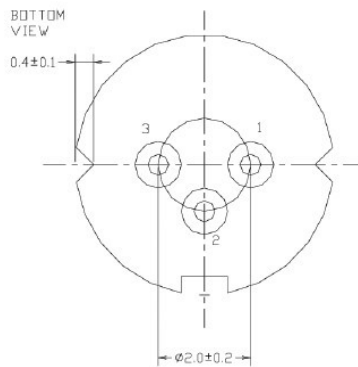
685nm Pigtailed Diode Laser		5mW/PM Fiber		Wavespectrum Laser, Inc	
PARAMETER	SYMBOL	VALUE	UNIT		
Reverse Voltage	V_r	2.0	V		
Operating Temperature	T_{op}	-10 ~ +60	°C		
Storage Temperature	T_{stg}	-40 ~ +85	°C		
Lead soldering temperature (10 sec.)	T_{is}	260	°C		
Features: <ul style="list-style-type: none"> ● 685nm ● PM Fiber ● Coaxial package ● Built-in PD 					
Applications: <ul style="list-style-type: none"> ● Medical laser treatment ● Other 					
Specifications	WSLP-685-005m-PM-PD				
	Min	Type	Max		
Center Wavelength@25°C	670nm	685nm	700nm		
Spectral Width (FWHM)	----	----	----		
Output Power	----	5mW	----		
Fiber Core	PM Fiber				
Slope Efficiency	0.4mW/mA	0.5mW/mA	----		
Monitor Current	0.05mA	0.2mA	2.5mA		
PD Reverse Voltage	----	30V	----		
Fiber Connector	FC/ST/SMA905				
Fiber Length	----	80cm	100cm		
Threshold Current (Typ.)	----	35mA	60mA		
Operating Current (Typ.)	----	80mA	140mA		
Operating Voltage	2.0V	2.4V	3.0V		
Package Style	Coaxial				



Coaxial Package View



PIN Bottom View:



1	PD(+)
2	LD(+)&PD(-)
3	LD(-)

Electrically shorten LD module and store in non-extreme conditions.
 Suggest using the constant current power supply.

