


**680nm~685nm 10mW SM Coaxial Pigtailed Laser Diode**

**685nm Fiber Coupled LD with Single Mode Laser**

WSLP-685-010m-4-PD

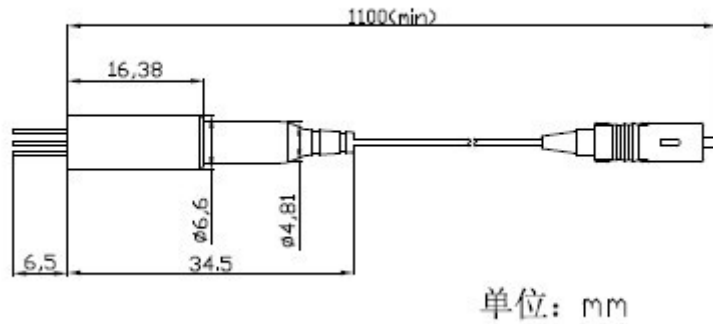
Wavespectrum Laser, Inc.

[www.wavespectrum-laser.com](http://www.wavespectrum-laser.com)

685nm Pigtailed Diode Laser		10mW/SM Fiber		Wavespectrum Laser, Inc	
PARAMETER	SYMBOL	VALUE	UNIT		
Reverse Voltage	$V_r$	2.0	V		
Operating Temperature	$T_{op}$	-10~+60	°C		
Storage Temperature	$T_{stg}$	-40 ~ +85	°C		
Lead soldering temperature (10 sec.)	$T_{is}$	260	°C		
<b>Features:</b> <ul style="list-style-type: none"> <li>● 685nm</li> <li>● SM Fiber</li> <li>● Coaxial package</li> <li>● Built-in PD</li> </ul>					
<b>Applications:</b> <ul style="list-style-type: none"> <li>● Medical laser treatment</li> <li>● Printing</li> </ul>					
<b>Specifications</b>		<b>WSLP-685-010m-4-PD</b>			
	Min	Type	Max		
Center Wavelength@25°C	670nm	685nm	700nm		
Spectral Width (FWHM)	----	----	----		
Output Power	----	10mW	----		
Fiber Core	4um				
Slope Efficiency	0.4mW/mA	0.5mW/mA	----		
Monitor Current	0.05mA	0.2mA	2.5mA		
PD Reverse Voltage	----	30V	----		
Fiber Connector	FC/ST/SMA905				
Fiber Length	----	80cm	100cm		
Threshold Current (Typ.)	----	35mA	60mA		
Operating Current (Typ.)	----	80mA	140mA		
Operating Voltage	2.0V	2.4V	3.0V		
Package Style	Coaxial				



### Coaxial Package View



### PIN Bottom View:



<b>1</b>	<b>PD(+)</b>
<b>2</b>	<b>LD(+)&amp;PD(-)</b>
<b>3</b>	<b>LD(-)</b>

Electrically shorten LD module and store in non-extreme conditions.  
 Suggest using the constant current power supply.

