


**670nm~671nm~675nm 1mw Single Mode Fiber Coupled LD| SM LD**

**670nm Pigtailed Coaxial Laser Diode with PMF**

WSLP-670-001m-PM-PD

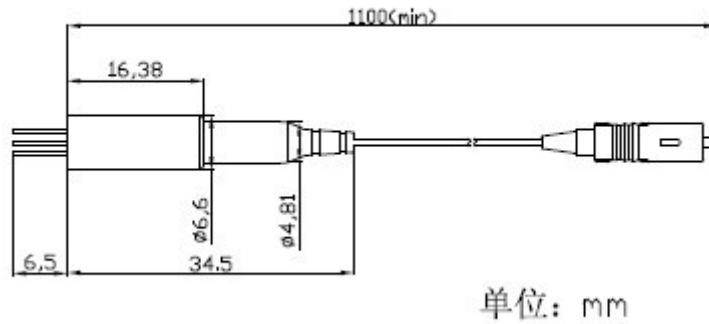
Wavespectrum Laser, Inc.

[www.wavespectrum-laser.com](http://www.wavespectrum-laser.com)

670nm Pigtailed Diode Laser		1mW/PM Fiber		Wavespectrum Laser, Inc	
PARAMETER	SYMBOL	VALUE	UNIT		
Reverse Voltage	$V_r$	2.0	V		
Operating Temperature	$T_{op}$	-10 ~ +60	°C		
Storage Temperature	$T_{stg}$	-15 ~ +85	°C		
Lead soldering temperature (10 sec.)	$T_{is}$	260	°C		
<b>Features:</b> <ul style="list-style-type: none"> <li>● 670nm</li> <li>● PM Fiber</li> <li>● Coaxial package</li> <li>● Built-in PD</li> </ul>					
<b>Applications:</b> <ul style="list-style-type: none"> <li>● Medical laser treatment</li> <li>● Printing</li> </ul>					
<b>Specifications</b>	<b>WSLP-670-001m-PM-PD</b>				
	Min	Type	Max		
Center Wavelength@25°C	660nm	670nm	678nm		
Spectral Width (FWHM)	----	2.0nm	3.0nm		
Output Power	----	1mW	----		
Fiber Type	PM				
Slope Efficiency	0.4mW/mA	0.5mW/mA	----		
Monitor Current	0.1mA	0.2mA	0.5mA		
PD Reverse Voltage	----	30V	----		
Fiber Connector	FC/ST/SMA905				
Fiber Length	----	80cm	100cm		
Threshold Current (Typ.)	----	24mA	35mA		
Operating Current (Typ.)	----	34mA	45mA		
Operating Voltage	----	2.2V	2.6V		
Package Style	Coaxial				



### Coaxial Package View



### PIN Bottom View:



1	PD(+)
2	LD(+)&PD(-)
3	LD(-)

Electrically shorten LD module and store in non-extreme conditions.

Suggest using the constant current power supply.

