


658nm 30mW Pigtail Laser Diode with MM Fiber

658nm coaxial package LD

WSLP-650-030m-M

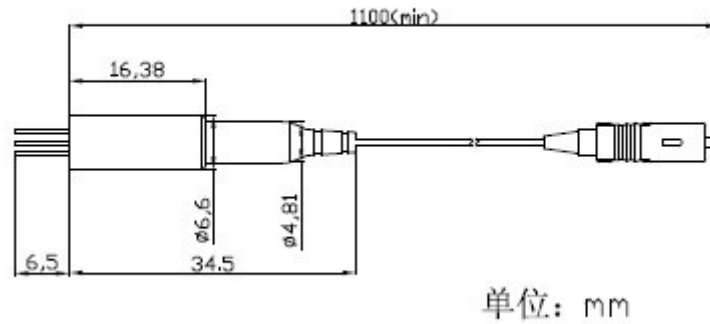
Wavespectrum laser inc.

www.wavespectrum-laser.com

650nm Pigtailed Diode Laser		30mW/MM Fiber		Wavespectrum Laser, Inc	
PARAMETER	SYMBOL	VALUE	UNIT		
Reverse Voltage	V_r	2.0	V		
Operating Temperature	T_{op}	-10 ~ +50	°C		
Storage Temperature	T_{stg}	-40 ~ +85	°C		
Lead soldering temperature (10 sec.)	T_{is}	260	°C		
Features: <ul style="list-style-type: none"> 650nm MM Fiber Coaxial package 					
Applications: <ul style="list-style-type: none"> Medical laser treatment Printing 					
Specifications		WSLP-650-030m-M			
	Min	Type	Max		
Center Wavelength@25°C	654nm	658nm	662nm		
Spectral Width (FWHM)	----	2.0nm	----		
Output Power	----	30mw	----		
Fiber Core	105um				
Slope Efficiency	----	0.95mW/mA	----		
Monitor Current	----	----	----		
PD Reverse Voltage	----	----	----		
Fiber Connector	FC/ST/SMA905				
Fiber Length	----	80cm	100cm		
Threshold Current (Typ.)	----	65mA	----		
Operating Current (Typ.)	----	150mA	----		
Operating Voltage	----	2.4V	3.0V		
Package Style	Coaxial				



Coaxial Package View



PIN Bottom View:



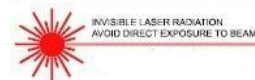
1	LD(+)
2	GND
3	LD(-)

Electrically shorten LD module and store in non-extreme conditions.

Suggest using the constant current power supply.

Caution

On operation, if optical connectors are unterminated, modules can emit invisible laser radiation. Radiation emitted by laser devices can be dangerous to the eyes. Avoided eye or skin exposure to direct or scattered radiation.



Invisible Laser Radiation
 Avoid Direct Exposure to Beam
 Class 3R Laser Product

