


**650nm 3mW Coaxial Package Pigtailed Laser Diode Module**  
**650nm pigtailed LD with MM Fiber**

WSLP-650-003m-M-PD

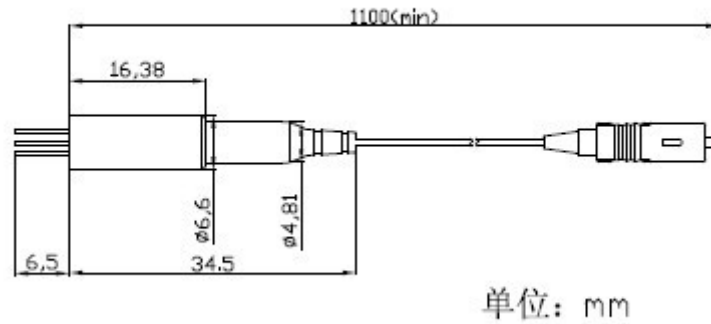
Wavespectrum laser inc.

[www.wavespectrum-laser.com](http://www.wavespectrum-laser.com)

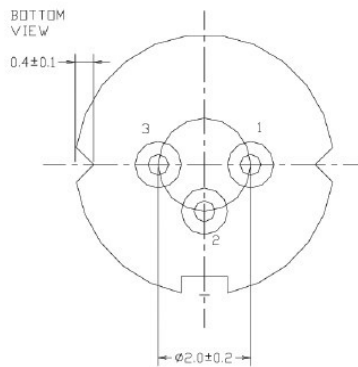
650nm Pigtailed Diode Laser		3mW/MM Fiber		Wavespectrum Laser, Inc	
PARAMETER	SYMBOL	VALUE	UNIT		
Reverse Voltage	$V_r$	2.0	V		
Operating Temperature	$T_{op}$	-10 ~ +50	°C		
Storage Temperature	$T_{stg}$	-40 ~ +85	°C		
Lead soldering temperature (10 sec.)	$T_{is}$	260	°C		
<b>Features:</b> <ul style="list-style-type: none"> <li>● 650nm</li> <li>● MM Fiber</li> <li>● Coaxial package</li> <li>● Built-in PD</li> </ul>					
<b>Applications:</b> <ul style="list-style-type: none"> <li>● Medical laser treatment</li> <li>● Other</li> </ul>					
<b>Specifications</b>		<b>WSLP-650-003m-M-PD</b>			
	Min	Type	Max		
Center Wavelength@25°C	645nm	655nm	660nm		
Spectral Width (FWHM)	----	2.0nm	----		
Output Power	----	3mw	----		
Fiber Core	105um				
Slope Efficiency	0.4mW/mA	0.6mW/mA	1.0mW/mA		
Monitor Current	0.05mA	0.15mA	0.3mA		
PD Reverse Voltage	----	30V	----		
Fiber Connector	FC/ST/SMA905				
Fiber Length	----	80cm	100cm		
Threshold Current (Typ.)	----	20mA	25mA		
Operating Current (Typ.)	----	36mA	45mA		
Operating Voltage	----	2.3V	2.6V		
Package Style	Coaxial				



### Coaxial Package View



### PIN Bottom View:



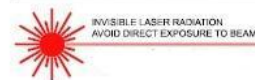
<b>1</b>	<b>LD(+)</b>
<b>2</b>	<b>LD(-)&amp;PD(-)</b>
<b>3</b>	<b>PD(+)</b>

Electrically shorten LD module and store in non-extreme conditions.

Suggest using the constant current power supply.

**Caution**

On operation, if optical connectors are unterminated, modules can emit invisible laser radiation. Radiation emitted by laser devices can be dangerous to the eyes. Avoided eye or skin exposure to direct or scattered radiation.



Invisible Laser Radiation  
 Avoid Direct Exposure to Beam  
 Class 3B Laser Product

