


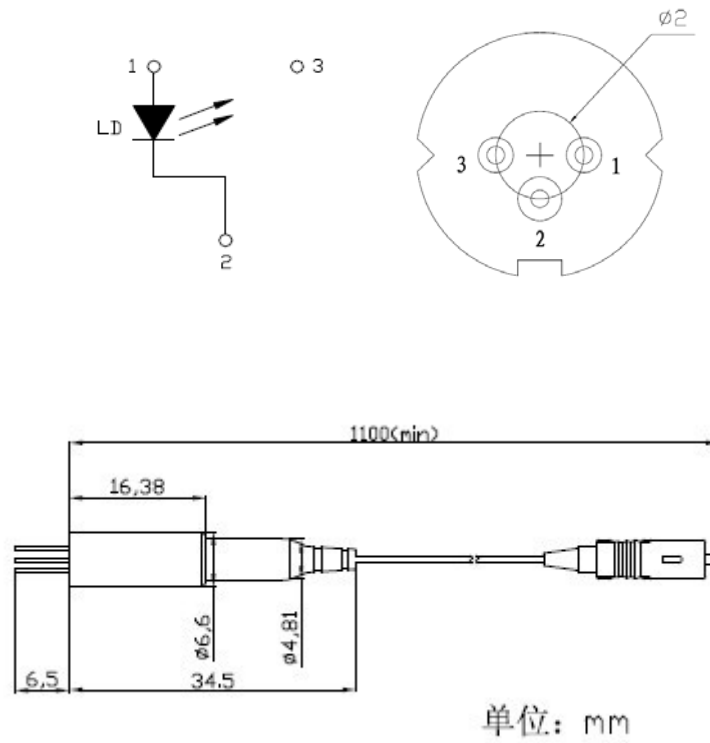
658nm SM Fiber Coupled LD with PMF

650nm~660nm SM Pigtailed Diode Laser with Polarization Maintaining Fiber

650nm Pigtailed Diode Laser		20mW/PM Fiber		Wavespectrum Laser, Inc	
PARAMETER	SYMBOL	VALUE	UNIT		
Reverse Voltage	V_r	2.0	V		
Operating Temperature	T_{op}	-10 ~ +50	°C		
Storage Temperature	T_{stg}	-40 ~ +85	°C		
Lead soldering temperature (10 sec.)	T_{is}	260	°C		
Features: <ul style="list-style-type: none"> ● 650nm ● Polarization Maintain Fiber ● Coaxial package 					
Applications: <ul style="list-style-type: none"> ● Medical laser treatment ● Other 					
Specifications	WSLP-650-020m-PM				
	Min	Type	Max		
Center Wavelength@25°C	654nm	658nm	662nm		
Spectral Width (FWHM)	----	2.0nm	----		
Output Power	----	20mw	----		
Fiber Core	Polarization Maintain Fiber				
Slope Efficiency	----	0.95mW/mA	----		
Monitor Current	----	----	----		
PD Reverse Voltage	----	----	----		
Fiber Connector	FC/ST/SMA905				
Fiber Length	----	80cm	100cm		
Threshold Current (Typ.)	----	70mA	90mA		
Operating Current (Typ.)	----	230mA	----		
Operating Voltage	----	2.4V	3.0V		
Package Style	Coaxial				



Coaxial Package View



Electrically shorten LD module and store in non-extreme conditions.
 Suggest using the constant current power supply.

