
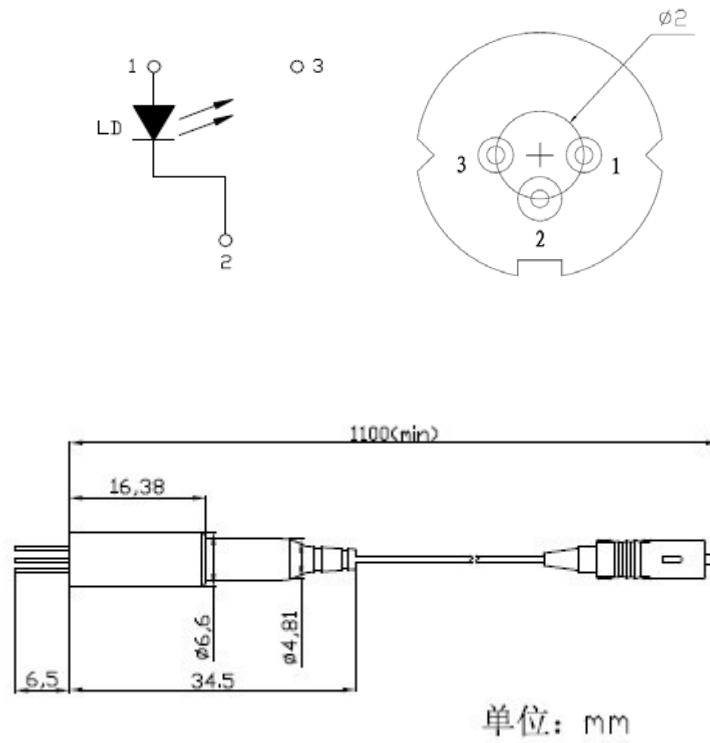


650nm~655nm SM Fiber Coupled Laser Diode with Single Mode Fiber
650nm Coaxial Pigtail LD| SM 4um Fiber

| 650nm Pigtailed Diode Laser | | 20mW/SM Fiber | | Wavespectrum Laser, Inc | |
|---------------------------------------------------------------------------------------------------------------------------------------|------------------------------------------------------------------------------------|---------------|-------|-------------------------|--|
| PARAMETER | SYMBOL | VALUE | UNIT | | |
| Reverse Voltage | V_r | 2.0 | V | | |
| Operating Temperature | T_{op} | -10 ~ +50 | °C | | |
| Storage Temperature | T_{stg} | -40 ~ +85 | °C | | |
| Lead soldering temperature (10 sec.) | T_{is} | 260 | °C | | |
| Features: <ul style="list-style-type: none"> ● 650nm ● Single Mode Fiber ● Coaxial package |  | | | | |
| Applications: <ul style="list-style-type: none"> ● Medical laser treatment ● Other | | | | | |
| Specifications | WSLP-650-020m-4 | | | | |
| | Min | Type | Max | | |
| Center Wavelength@25°C | 654nm | 658nm | 662nm | | |
| Spectral Width (FWHM) | ---- | 2.0nm | ---- | | |
| Output Power | ---- | 20mW | ---- | | |
| Fiber Core | 4um SM Fiber | | | | |
| Slope Efficiency | ---- | 0.95mW/mA | ---- | | |
| Monitor Current | ---- | ---- | ---- | | |
| PD Reverse Voltage | ---- | ---- | ---- | | |
| Fiber Connector | FC/ST/SMA905 | | | | |
| Fiber Length | ---- | 80cm | 100cm | | |
| Threshold Current (Typ.) | ---- | 70mA | 90mA | | |
| Operating Current (Typ.) | ---- | 230mA | ---- | | |
| Operating Voltage | ---- | 2.4V | 3.0V | | |
| Package Style | Coaxial | | | | |



Coaxial Package View



Electrically shorten LD module and store in non-extreme conditions.
 Suggest using the constant current power supply.

