


## 635nm~640nm 5mW Fiber Coupled Laser Diode with MMF

### 635nm pigtailed coaxial LD

WSLP-635-005m-M

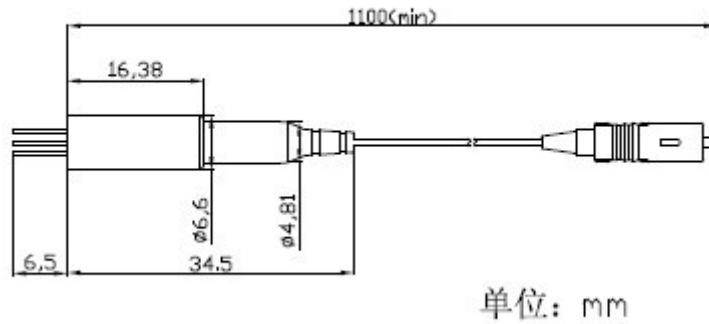
Wavespectrum laser inc.

[www.wavespectrum-laser.com](http://www.wavespectrum-laser.com)

PARAMETER	SYMBOL	VALUE	UNIT
Reverse Voltage	$V_r$	2.0	V
Operating Temperature	$T_{op}$	-10 ~ +40	°C
Storage Temperature	$T_{stg}$	-40 ~ +85	°C
Lead soldering temperature (10 sec.)	$T_{is}$	260	°C
<b>Features:</b> <ul style="list-style-type: none"> <li>● 635nm</li> <li>● MM Fiber</li> <li>● Coaxial package</li> <li>● Built-in PD</li> </ul>			
<b>Applications:</b> <ul style="list-style-type: none"> <li>● Medical laser treatment</li> <li>● Printing</li> </ul>			
<b>Specifications</b>	<b>WSLP-635-005m-M</b>		
	Min	Type	Max
Center Wavelength@25°C	630nm	635nm	640nm
Spectral Width (FWHM)	----	2.0nm	----
Output Power	----	>5mw	----
Fiber Core	105um		
Slope Efficiency	0.25mW/mA	0.5mW/mA	0.65mW/mA
Monitor Current	0.03mA	0.12mA	0.5mA
PD Reverse Voltage	----	30V	----
Fiber Connector	FC/ST/SMA905		
Fiber Length	----	80cm	100cm
Threshold Current (Typ.)	----	30mA	35mA
Operating Current (Typ.)	----	55mA	65mA
Operating Voltage	----	2.2V	2.5V
Package Style	Coaxial		



### Coaxial Package View



### PIN Bottom View:



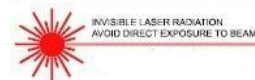
<b>1</b>	<b>LD(+)</b>
<b>2</b>	<b>LD(-)&amp;PD(-)</b>
<b>3</b>	<b>PD(+)</b>

Electrically shorten LD module and store in non-extreme conditions.

Suggest using the constant current power supply.

**Caution**

On operation, if optical connectors are unterminated, modules can emit invisible laser radiation. Radiation emitted by laser devices can be dangerous to the eyes. Avoided eye or skin exposure to direct or scattered radiation.



Invisible Laser Radiation  
 Avoid Direct Exposure to Beam  
 Class 3R Laser Product

