


488nm SM Pigtail Coaxial Laser Diode| 12mw LD

483nm-488nm-493nm Fiber coupled LD with Single mode fiber

WSLP-488-012m-4-PD

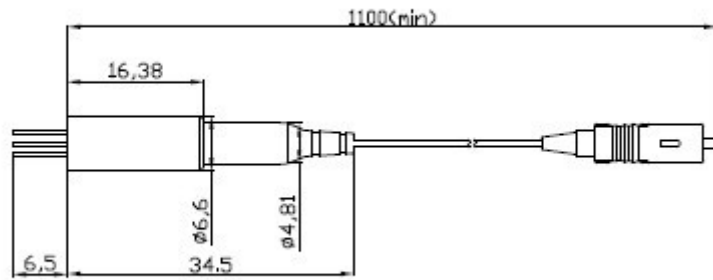
Wavespectrum laser inc.

www.wavespectrum-laser.com

488nm Pigtailed Diode Laser		12mW/SM Fiber		Wavespectrum Laser, Inc	
PARAMETER	SYMBOL	VALUE	UNIT		
Reverse Voltage	V_r	5.0	V		
Operating Temperature	T_{op}	0 ~ +60	°C		
Storage Temperature	T_{stg}	-40 ~ +85	°C		
Lead soldering temperature (10 sec.)	T_{is}	260	°C		
Features: <ul style="list-style-type: none"> 488nm UV 4um SM Fiber Coaxial package Built-in PD 					
Applications: <ul style="list-style-type: none"> Medical laser treatment Other 					
Specifications		WSLP-488-012m-4-PD			
	Min	Type	Max		
Center Wavelength@25°C	483nm	488nm	493nm		
Output Power	----	12mW	15mW		
Fiber Type	UV single mode Fiber				
Fiber Core	3~4um				
Slope Efficiency	0.6mW/mA	0.9mW/mA	----		
Monitor Current	0.6mA	1.0mA	1.4mA		
PD Reverse Voltage	----	20V	----		
Fiber Connector	FC/ST/SMA905				
Fiber Length	----	80cm	100cm		
Threshold Current (Typ.)	----	30mA	50mA		
Operating Current (Typ.)	----	100mA	130mA		
Operating Voltage	----	5.6V	6.2V		
Package Style	Coaxial				

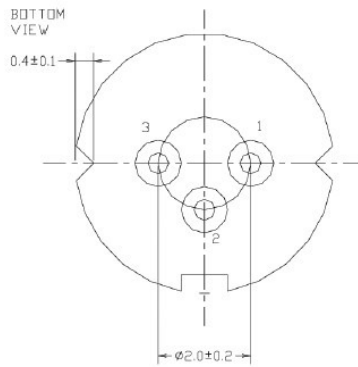


Coaxial Package View



单位: mm

PIN Bottom View:



1	LD(+)
2	LD(-)&PD(-)
3	PD(+)

Electrically shorten LD module and store in non-extreme conditions.

Suggest using the constant current power supply.



Please contact us:

Website: www.wavespectrum-laser.com(for more detailed information)

Email: info@wavespectrum-laser.com (for inquiry about this product)

