


478nm Fiber coupled Laser Diode| Coaxial LD

468nm-478nm Pigtail Laser Diode with MMF

WSLP-473-012m-M-PD

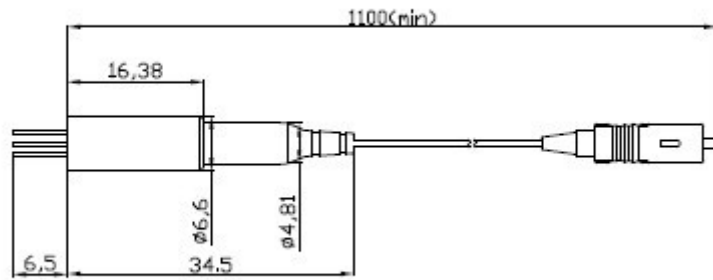
Wavespectrum laser inc.

www.wavespectrum-laser.com

473nm Pigtailed Diode Laser		12mW/MM Fiber		Wavespectrum Laser, Inc	
PARAMETER	SYMBOL	VALUE		UNIT	
Reverse Voltage	V_r	5.0		V	
Operating Temperature	T_{op}	0 ~ +60		°C	
Storage Temperature	T_{stg}	-35 ~ +70		°C	
Lead soldering temperature (10 sec.)	T_{is}	260		°C	
Features: <ul style="list-style-type: none"> 473nm UV MM Fiber Coaxial package Built-in PD 					
Applications: <ul style="list-style-type: none"> Medical laser treatment Printing 					
Specifications		WSLP-473-012m-M-PD			
	Min	Type	Max		
Center Wavelength@25°C	468nm	473nm	478nm		
Output Power	----	12mW	16mW		
Fiber Type	UV Multimode Fiber				
Fiber Core	40um 50um 60um 105um Optional				
Slope Efficiency	0.2mW/mA	0.45mW/mA	0.8mW/mA		
Monitor Current	0.1mA	0.35mA	0.8mA		
PD Reverse Voltage	----	20V	----		
Fiber Connector	FC/ST/SMA905				
Fiber Length	----	80cm	100cm		
Threshold Current (Typ.)	20mA	50mA	80mA		
Operating Current (Typ.)	50mA	100mA	150mA		
Operating Voltage	4.0V	5.5V	7.0V		
Package Style	Coaxial				

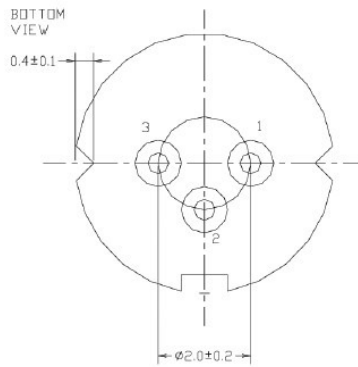


Coaxial Package View



单位: mm

PIN Bottom View:



1	LD(+)
2	LD(-)&PD(-)
3	PD(+)

Electrically shorten LD module and store in non-extreme conditions.

Suggest using the constant current power supply.



Please contact us:

Website: www.wavespectrum-laser.com (for more detailed information)

Email: info@wavespectrum-laser.com (for inquiry about this product)

